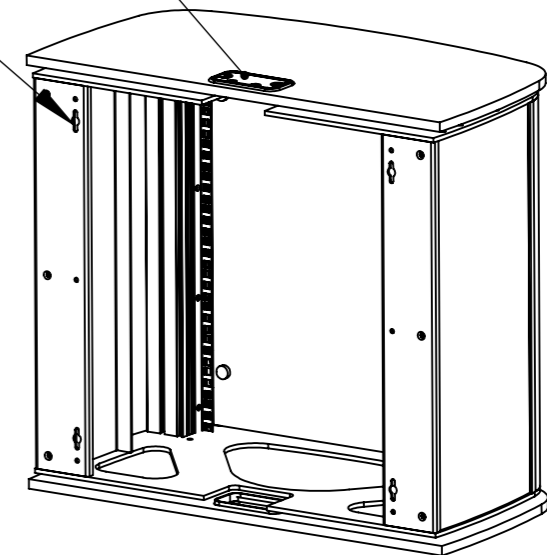
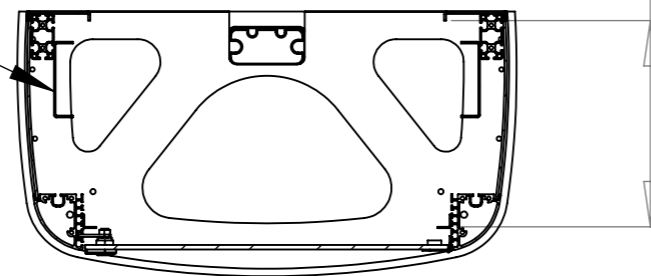


CABLE ACCESS/EGRES  
TOP AND BOTTOM

KEY HOLE WALL  
MOUNTING  
LOCATIONS



100 mm CABLE  
TRAY EACH SIDE



SECTION A-A

273 MAX DEPTH

DEBUR AND BREAK SHARP EDGES		<b>Mode-AL .co.uk</b> UNIT 4 ANAMAX IND. PARK, OXFORD ROAD, TATLING END, BUCKS SL9 7BB TEL +44 (0)1753 880824
MATERIAL:	X	
FINISH:	X	TITLE: <b>WALL MOUNT CABINET 12U x 200 D</b>
UNLESS OTHERWISE SPECIFIED: DIMENSIONS ARE IN MILLIMETERS TOLERANCES: LINEAR: X.    ±1.0mm X.X    ±0.25 mm X.XX ±0.10 mm ANGULAR: X.XX ±0.1°		DWG NO. <b>ECW-12U-200D</b>
SCALE: 1:10		REV <b>A</b>
SHEET 1 OF 1		<b>A3</b>