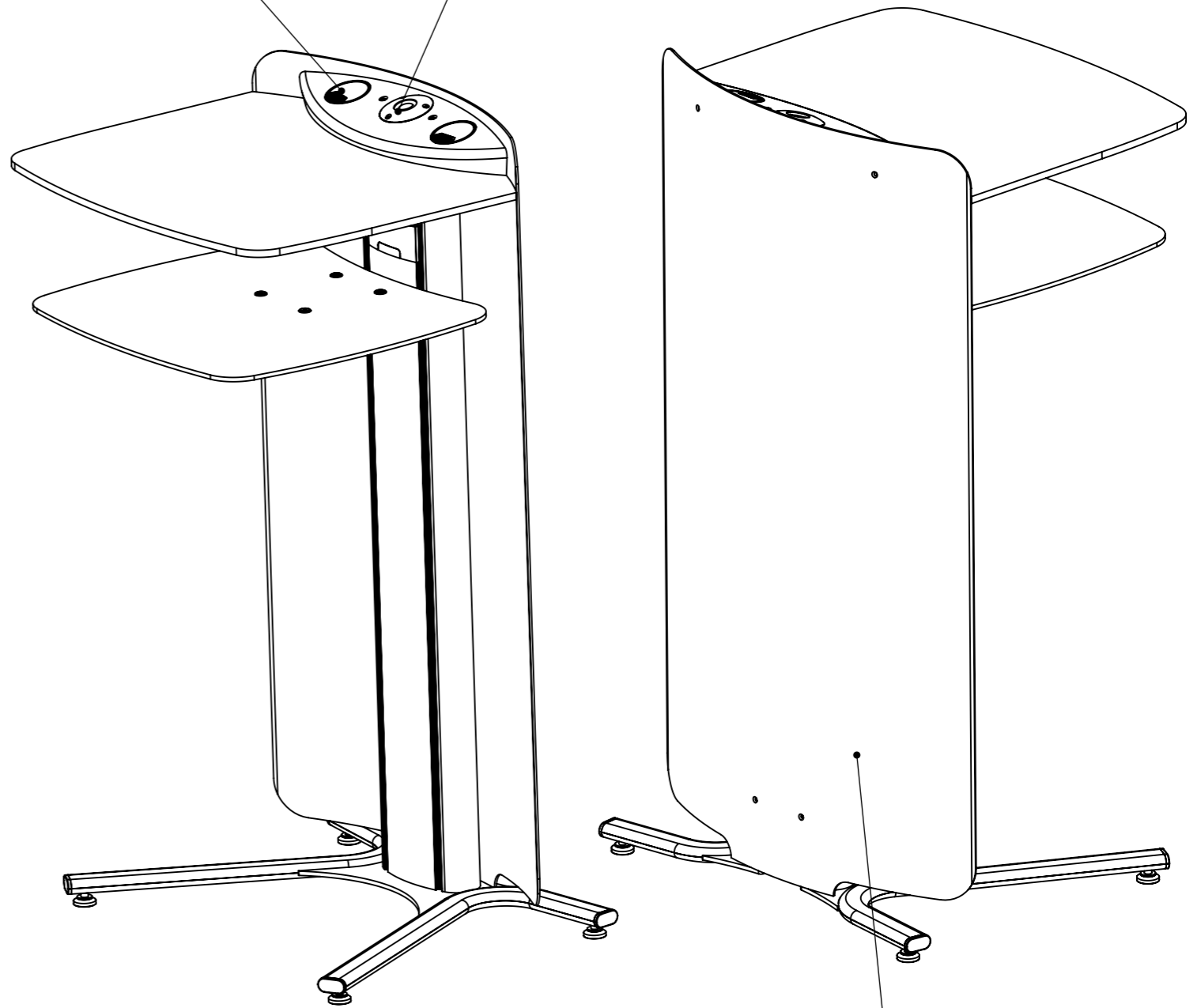


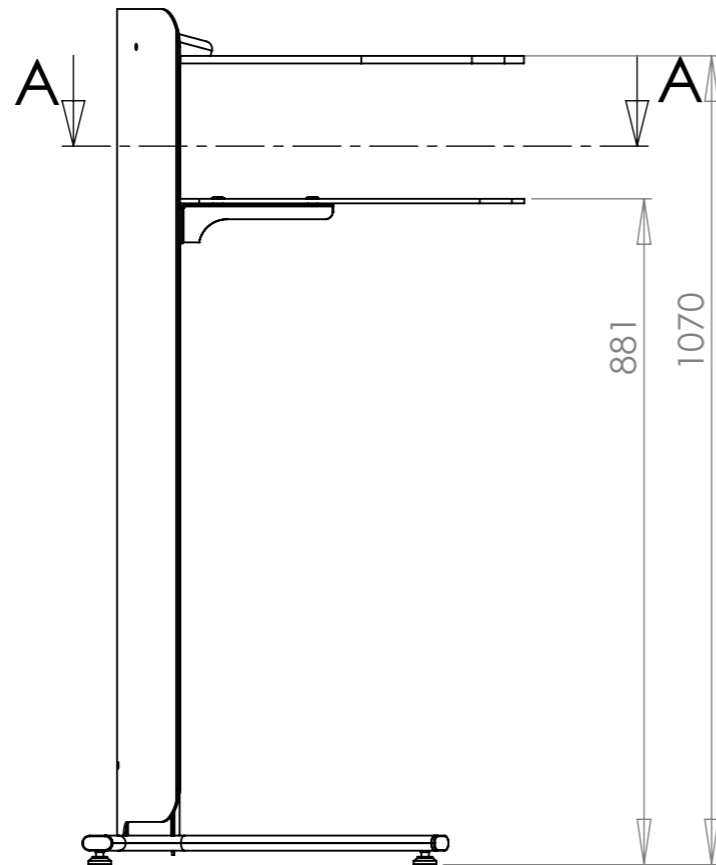
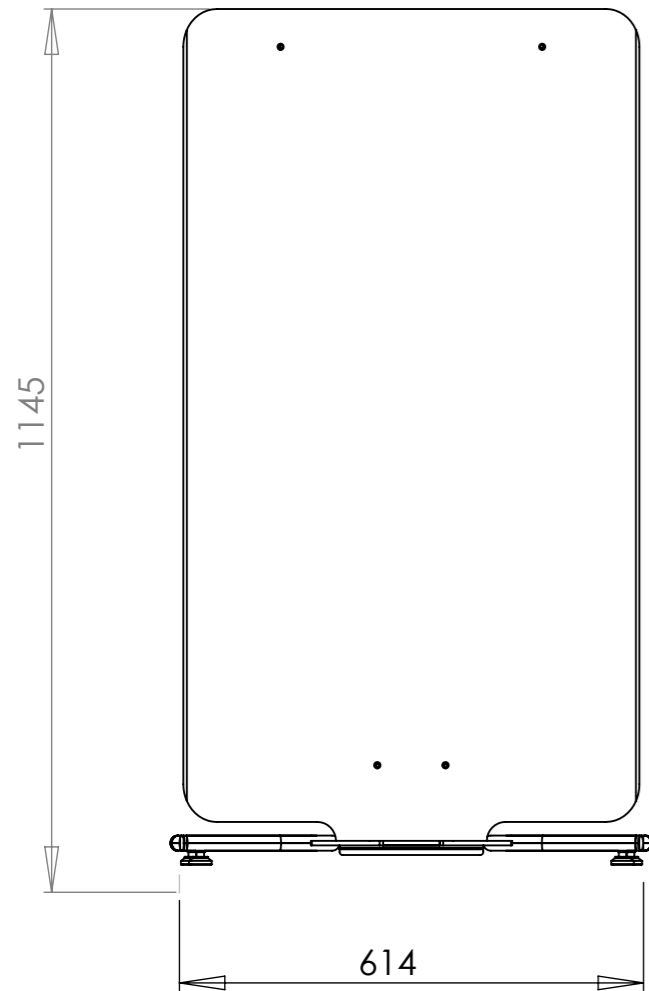
A-A (1 : 10)

CABLE ACCESS PORTS

SENNHEISER MZS 31
UNIVERSAL GOOSENECK
SHOCK MOUNT



SHIELD ANODISED ALUMINIUM AS STANDARD
OPTIONS OF OTHER FINISHES AVAILABLE



DEBUR AND BREAK SHARP EDGES

MATERIAL:

N/A

FINISH:

N/A

UNLESS OTHERWISE SPECIFIED:
DIMENSIONS ARE IN MILLIMETERS

TOLERANCES:

LINEAR: X. ±1.0mm
X.X ±0.25 mm
X.XX ±0.10 mm
ANGULAR: X.XX ±0.1°

Mode-AL.co.uk

UNIT 4 ANAMAX IND. PARK, OXFORD ROAD,
TATLING END, BUCKS SL9 7BB TEL +44 (0)1753 880824

TITLE:

LECTERN 02 LCB

DWG NO.

MA-L-02-LCB

REV

A

SCALE: 1:10

SHEET 1 OF 1

A3