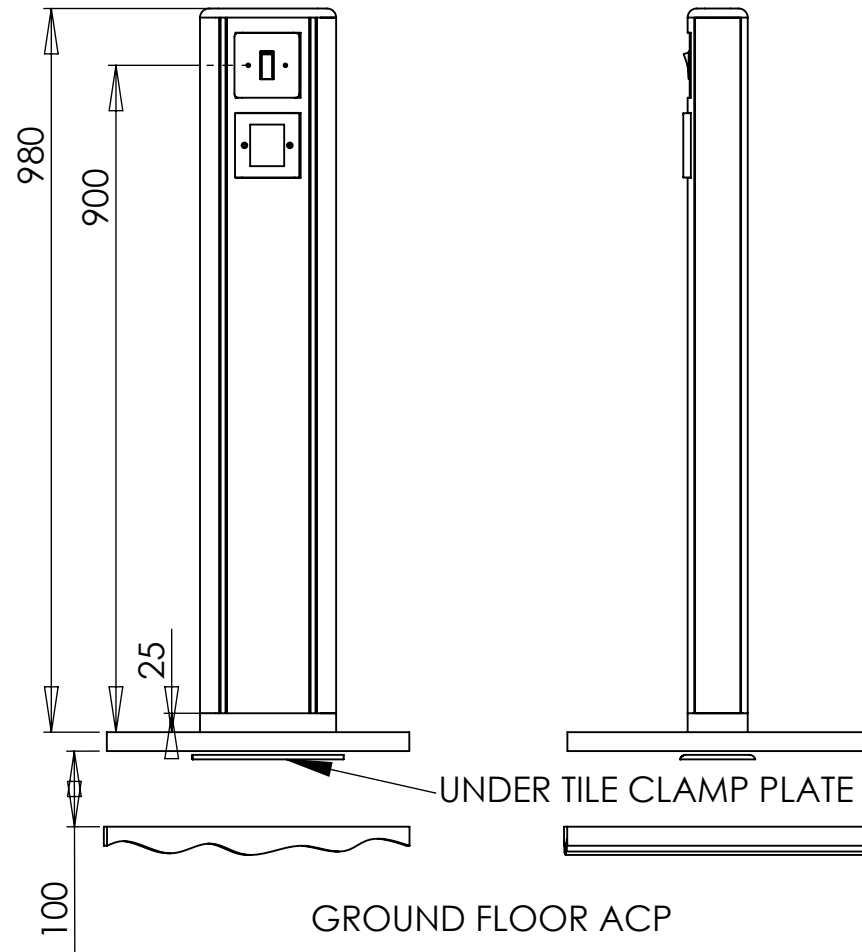


FIRST FLOOR ACP



GROUND FLOOR ACP

DEBUR AND BREAK SHARP EDGES		Mode-AL .com UNIT 4 ANAMAX IND. PARK, OXFORD ROAD, TATLING END, BUCKS SL9 7BB TEL +44 (0)1753 880824
MATERIAL: N/A		
FINISH: ANODISE NARURAL		TITLE: ACP FLOOR TILE MOUNTED
UNLESS OTHERWISE SPECIFIED: DIMENSIONS ARE IN MILLIMETERS TOLERANCES: LINEAR: X. ±1.0mm X.X ±0.25 mm X.XX ±0.10 mm ANGULAR: X.XX ±0.1°		DWG NO. MA-ACP-T-01
SCALE: 1:10		REV A
SHEET 1 OF 1		A4