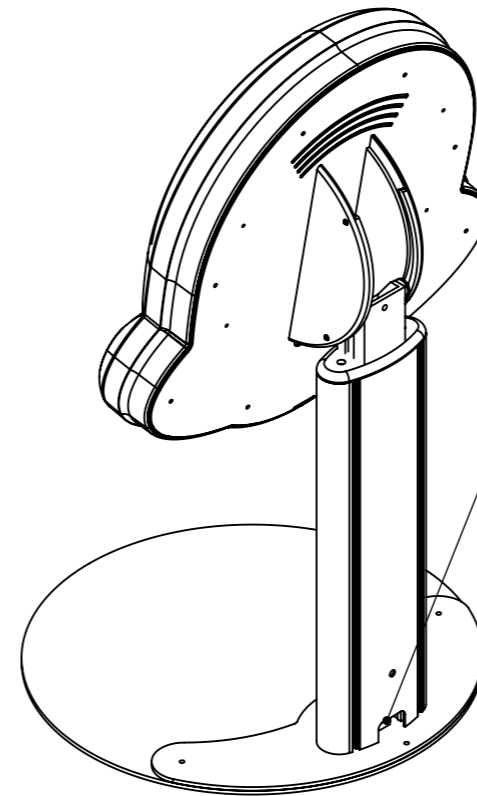
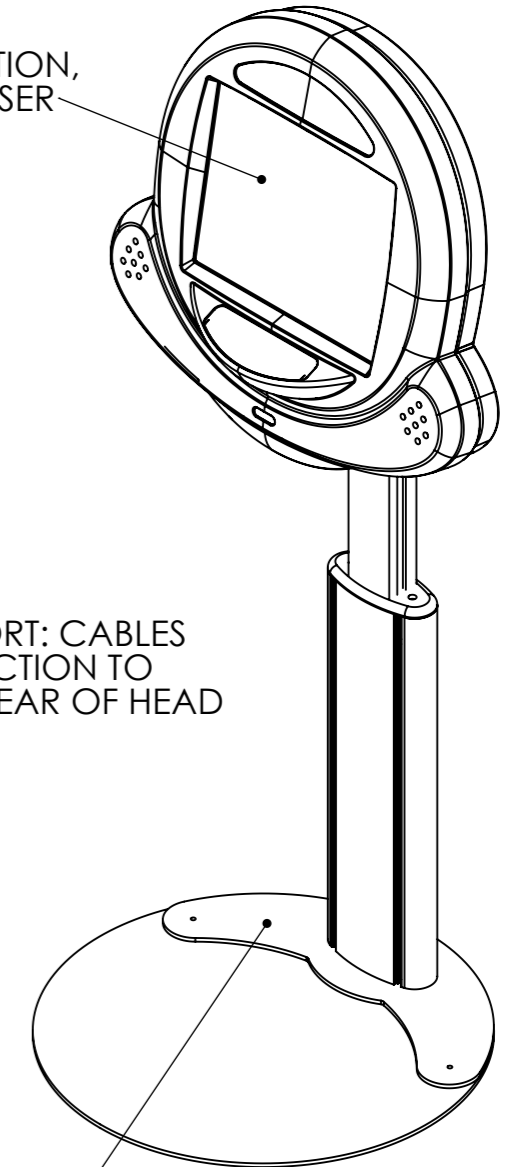


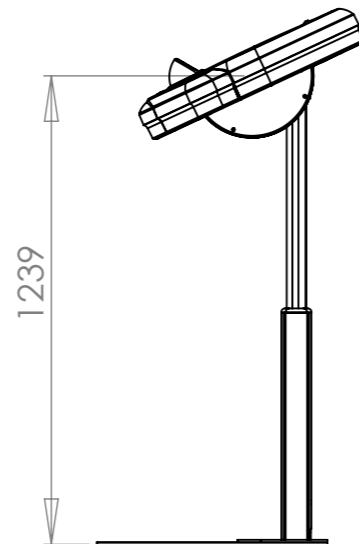
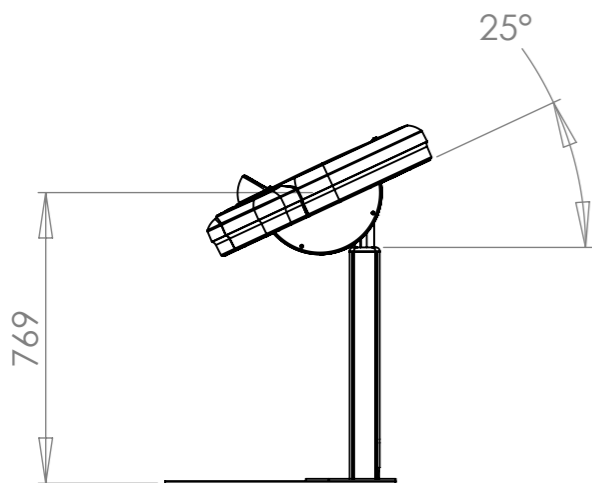
LIFTING HEAD REQUIRES ONLY SINGLE HANDED OPERATION, WITH NO TOOLS, AND WILL REMAIN AT HEIGHT SET BY USER



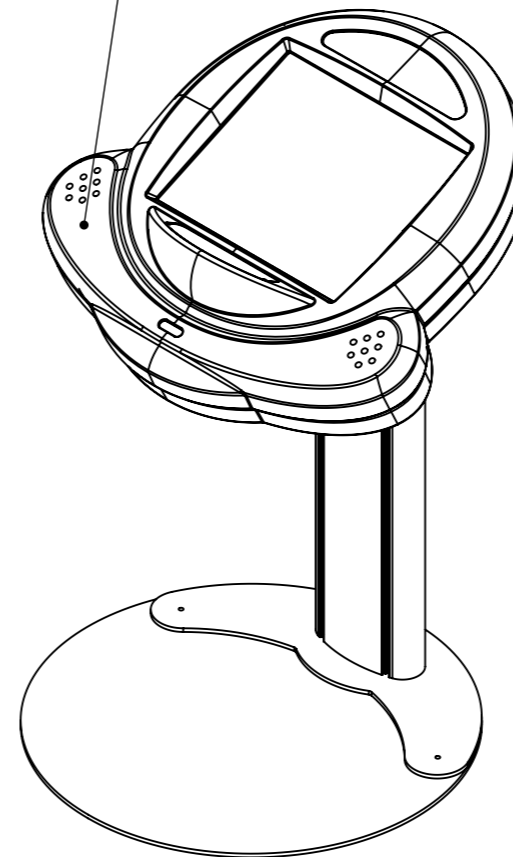
CABLE ACCESS PORT: CABLES FED INSIDE BOX SECTION TO ACCESS PORT IN REAR OF HEAD



UNIT CAN BE LOCKED AT LOWEST POSITION TO EASE TRANSPORT



TILT REQUIRES NO TOOLS, AND WILL REMAIN AT ANGLE SET BY USER



BOLT DOWN BASEPLATE OPTION SHOWN ALTERNATIVES AVAILABLE

DEBUR AND BREAK SHARP EDGES		Mode-AL .co.uk UNIT 4 ANAMAX IND. PARK, OXFORD ROAD, TATLING END, BUCKS SL9 7BB TEL +44 (0)1753 880824
MATERIAL: -		
FINISH: -		TITLE: ADJUSTABLE HEIGHT & TILT INFORMATION KIOSK
UNLESS OTHERWISE SPECIFIED: DIMENSIONS ARE IN MILLIMETERS TOLERANCES: LINEAR: X. ±1.0mm X.X ±0.25 mm X.XX ±0.10 mm ANGULAR: X.XX ±0.1°		DWG NO. MA-IK-01-00
SCALE: 1:20	SHEET 1 OF 1	A3