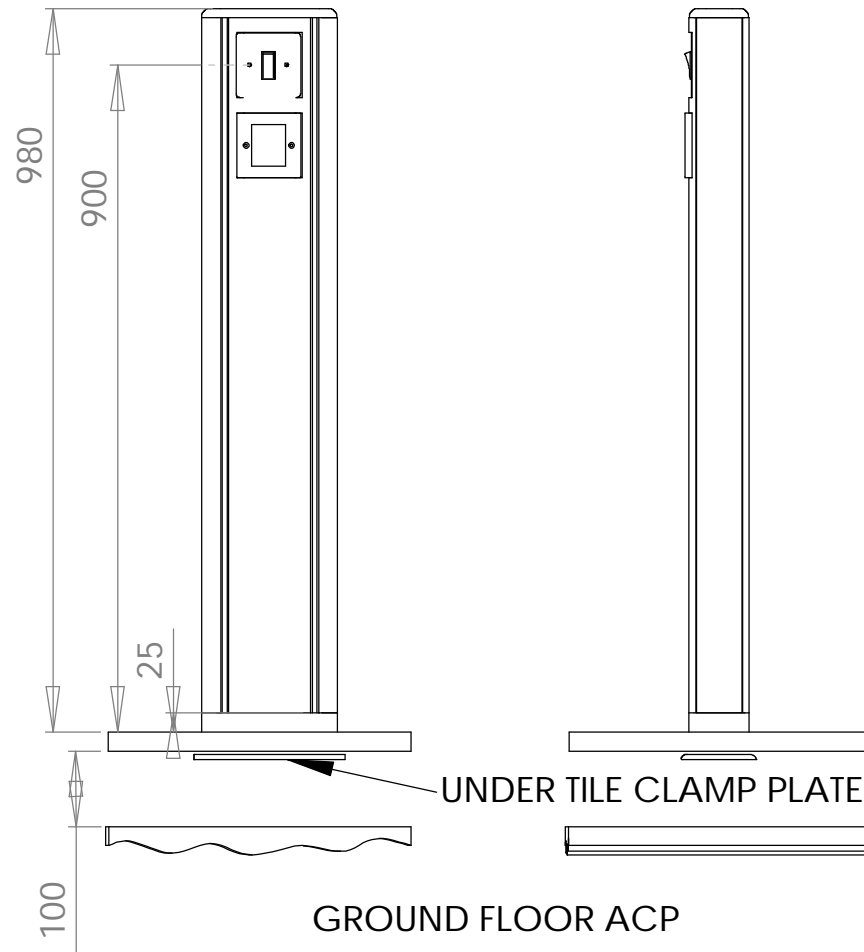


FIRST FLOOR ACP



GROUND FLOOR ACP

DEBUR AND BREAK SHARP EDGES		<b>Mode-AL</b> 15 NIGHTINGALE WAY, DENHAM GREEN BUCKS UB9 5JH. UK. TEL: +44 (0)1895 834085
MATERIAL: <b>N/A</b>		
FINISH: <b>ANODISE NARURAL</b>		TITLE: <b>40 GROSVENOR PLACE FOR INTERIOR PLC</b>
UNLESS OTHERWISE SPECIFIED: DIMENSIONS ARE IN MILLIMETERS		DWG NO. <b>MA-INT-01</b>
TOLERANCES:		REV <b>A</b>
LINEAR: X. ±1.0mm X.X ±0.25 mm X.XX ±0.10 mm		SCALE : 1:10
ANGULAR: X.XX ±0.1°		SHEET 1 OF 1
		<b>A4</b>