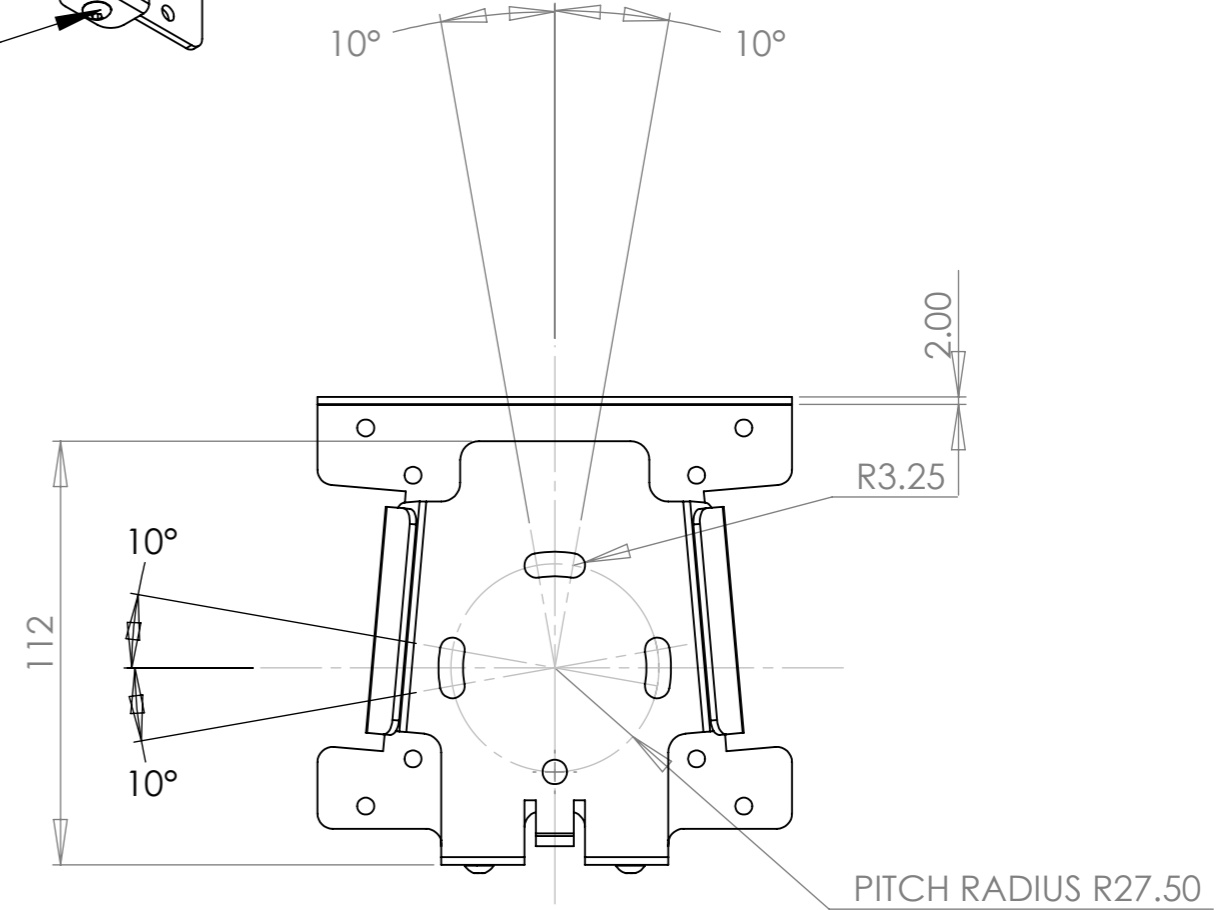
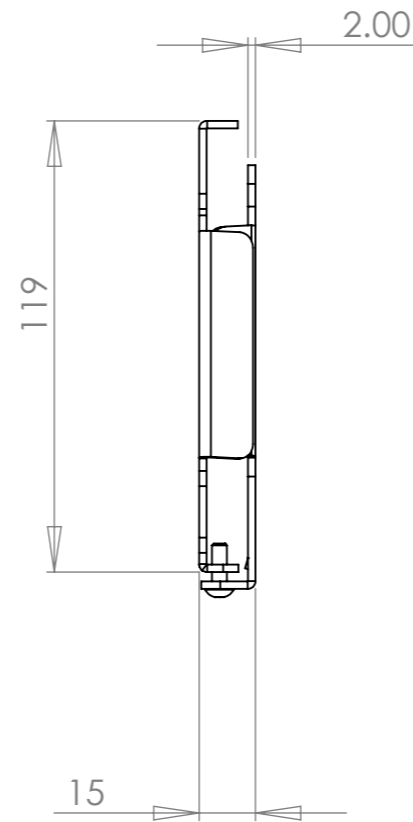
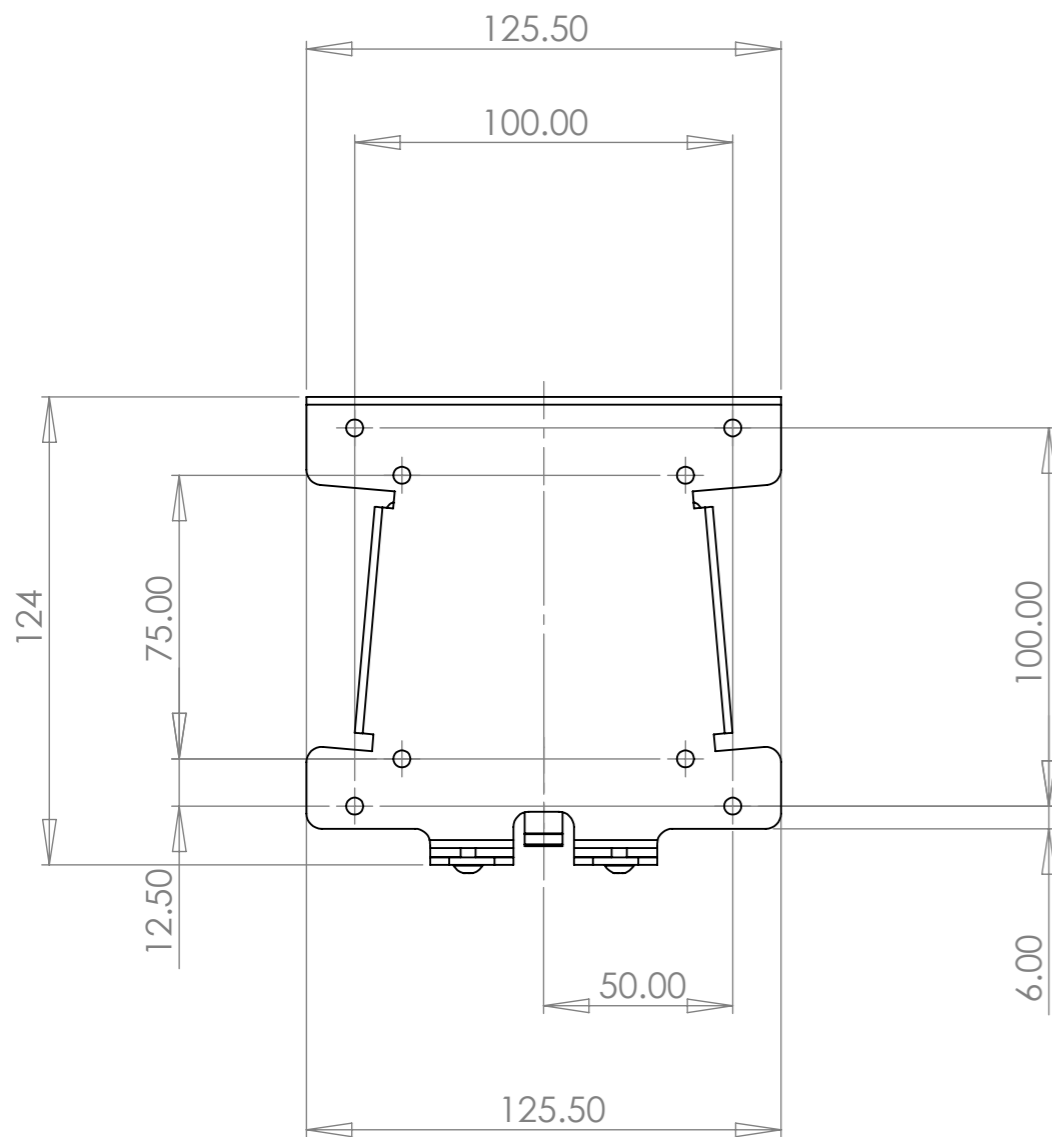


M4 x 12 SECURING SCREWS



MAX WEIGHT CAPACITY = 18kg  
 WALL BRACKET TO WALL FIXINGS = M6 MIN  
 SCREEN BRACKET TO SCREEN = M4

DEBUR AND BREAK SHARP EDGES		<b>Mode-AL.com</b> UNIT 4 ANAMAX IND. PARK, OXFORD ROAD, TATLING END, BUCKS SL9 7BB TEL +44 (0)1753 880824
MATERIAL: -		
FINISH: -		TITLE: VESA 100X100 FIXED
UNLESS OTHERWISE SPECIFIED: DIMENSIONS ARE IN MILLIMETERS TOLERANCES: LINEAR: X. ±1.0mm X.X ±0.25 mm X.XX ±0.10 mm ANGULAR: X.XX ±0.1°		DWG NO. MA-OEM-06
SCALE: 1:2	SHEET 1 OF 1	A3