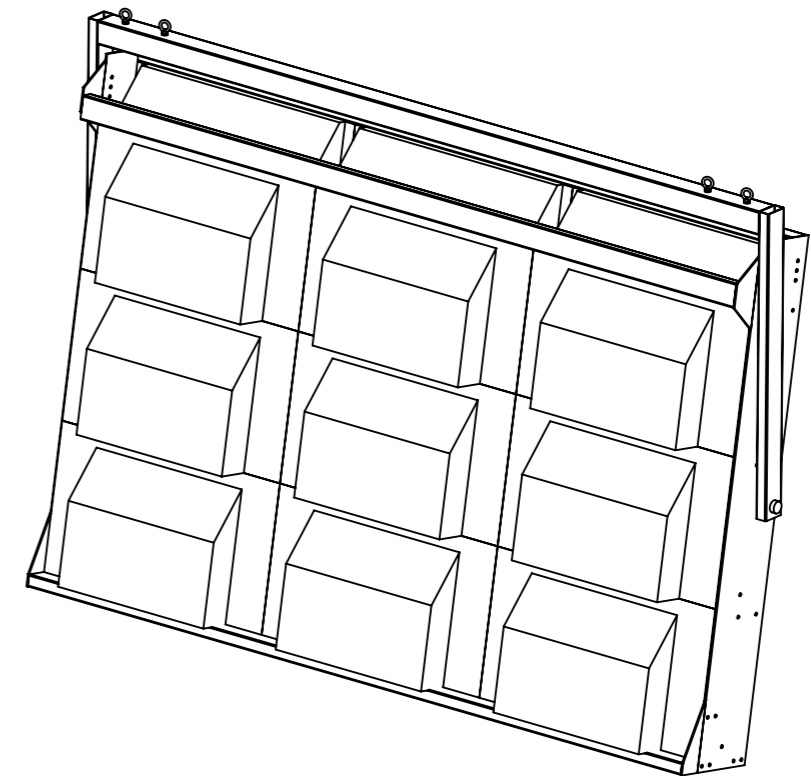
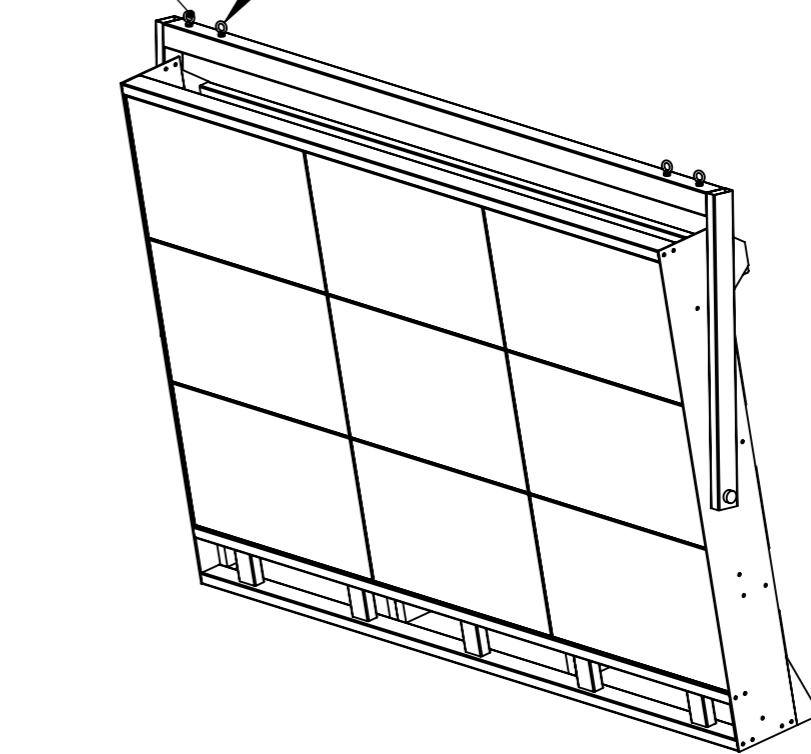


SUPPORT EYE

LIFTING EYE



NOTES:
 SCREEN MASS = 278 Kg (9 SCREENS)
 FRAME MASS = 110 kG
 TOTAL EXTIMATED WEIGHT 500kG

DEBUR AND BREAK SHARP EDGES		Mode-AL.co.uk UNIT B HAMMER AND HARP FARM BUCKS U.K. TEL : +44 (0)870 241 9989
MATERIAL: N/A		
FINISH: POWDERCOAT BLACK		TITLE: MARGAY 3x3 ARAY TILTING SUSPENDED FRAME
UNLESS OTHERWISE SPECIFIED: DIMENSIONS ARE IN MILLIMETERS TOLERANCES: LINEAR: X. ±1.0mm X.X ±0.25 mm X.XX ±0.10 mm ANGULAR: X.XX ±0.1°		DWG NO. MA-RI-02
SCALE: 1:30	SHEET 1 OF 1	REV A A3