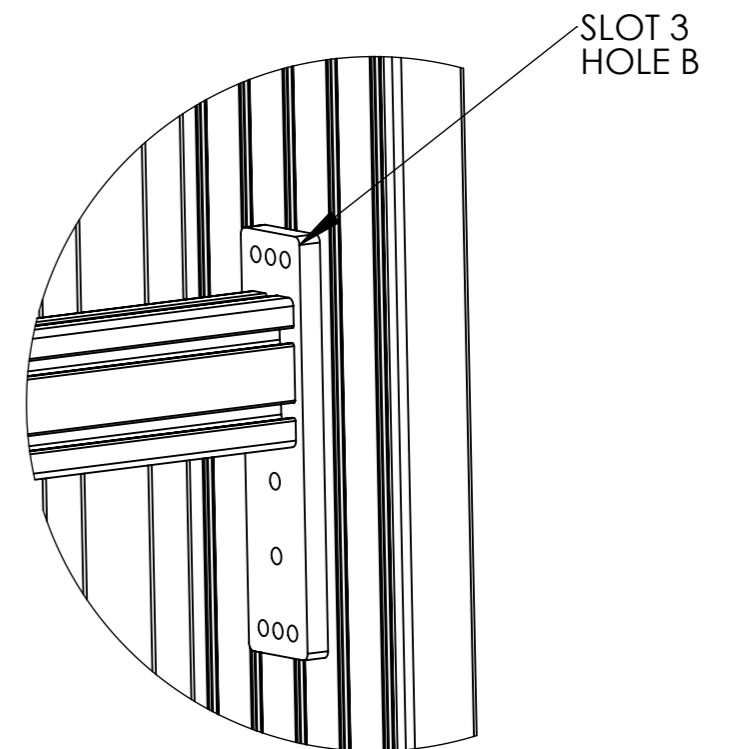


DETAIL B  
SCALE 1 : 3



DETAIL A  
SCALE 1 : 3

DEBUR AND BREAK SHARP EDGES		<b>Mode-AL.co.uk</b> UNIT 4 ANAMAX IND. PARK, OXFORD ROAD, TATLING END, BUCKS SL9 7BB TEL +44 (0)1753 880824
MATERIAL:	ALUMINUM	
FINISH:	ANODISED NATURAL	TITLE: MEDIA WALL EXAMPLE 03 FRONT ISO BUILD DIMS
UNLESS OTHERWISE SPECIFIED: DIMENSIONS ARE IN MILLIMETERS TOLERANCES: LINEAR: X. ±1.0mm X.X ±0.25 mm X.XX ±0.10 mm ANGULAR: X.XX ±0.1°		DWG NO. MW-EX3-04
		REV A
SCALE: NTS		SHEET 1 OF 1 A3