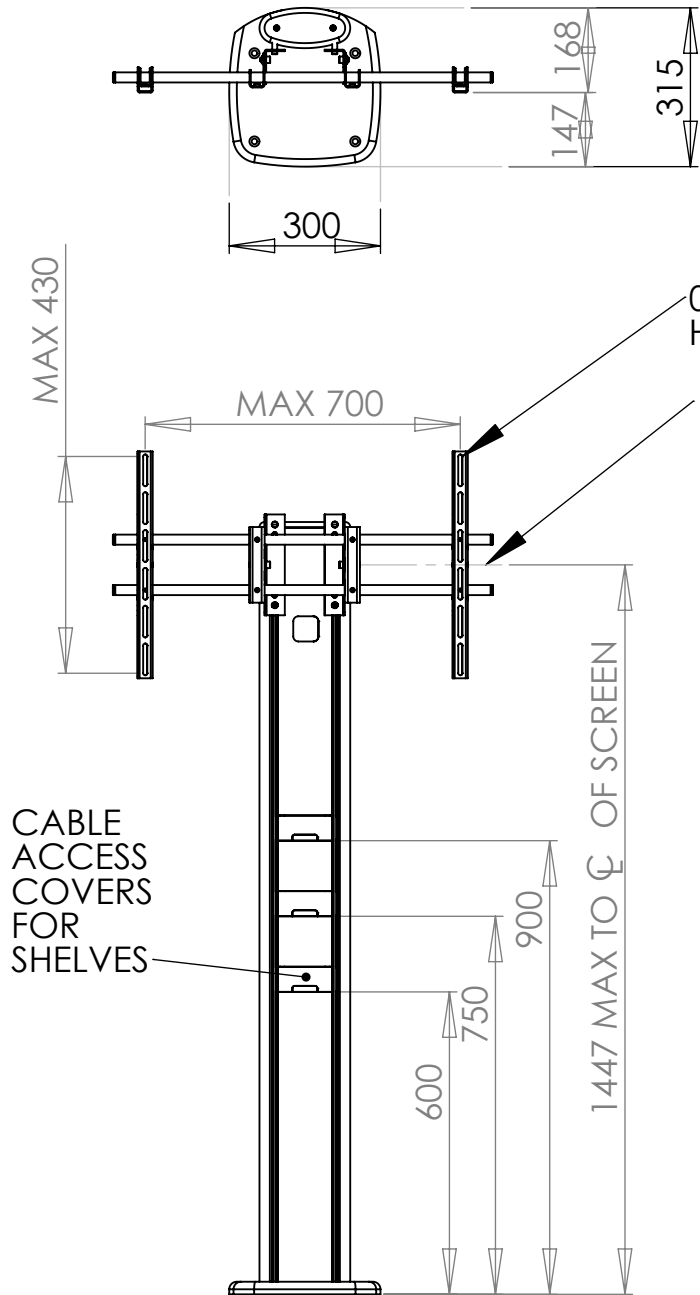


NOTE ALL ACCESSORIES FROM THE PLASMA STAND RANGE ARE COMPATIBLE WITH THIS PLASMA STAND

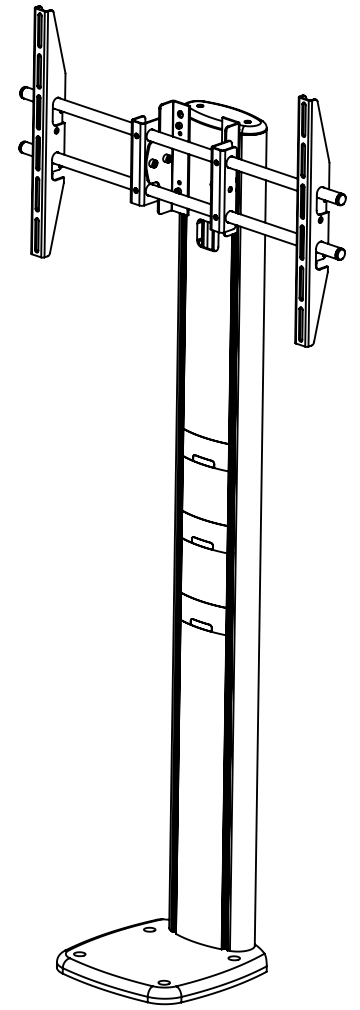
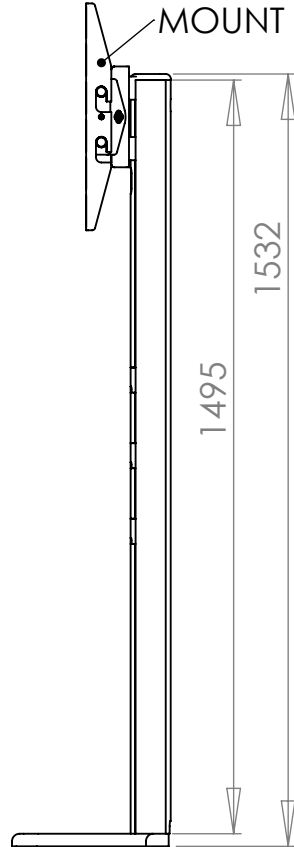


REMOVABLE REAR COVER

01 UNIVERSAL MOUNT
HEIGHT ADJUSTABLE ON SET UP

☉ OF SCREEN

MOUNT TILT $\pm 12^\circ$



DEBUR AND BREAK SHARP EDGES		Mode-AL .co.uk UNIT 4 ANAMAX IND. PARK, OXFORD ROAD, TATLING END, BUCKS SL9 7BB TEL +44 (0)1753 880824
MATERIAL: ALUMINIUM		
FINISH: BLACK OR SILVER		TITLE: PLASMA STAND BOLT DOWN SURFACE 1500 MM BASIC DIMS
UNLESS OTHERWISE SPECIFIED: DIMENSIONS ARE IN MILLIMETRES TOLERANCES:		
LINEAR: X. ± 1.0 mm X.X ± 0.25 mm X.XX ± 0.10 mm ANGULAR: X.XX $\pm 0.1^\circ$		
DWG NO. PB150001XX	REV A	
SCALE : NTS	SHEET 1 OF 1	A4