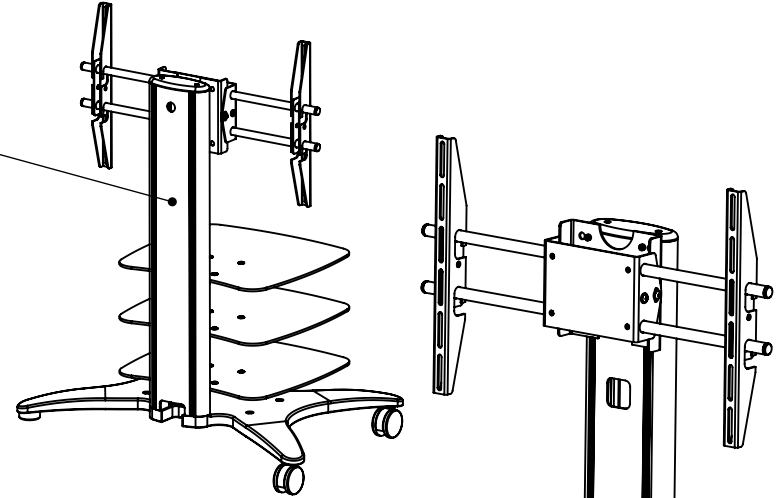
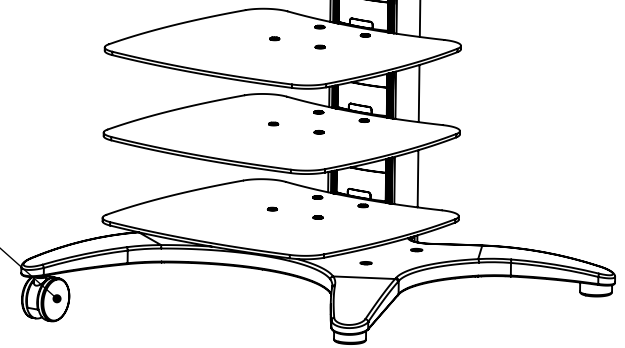


REMOVABLE
REAR COVER

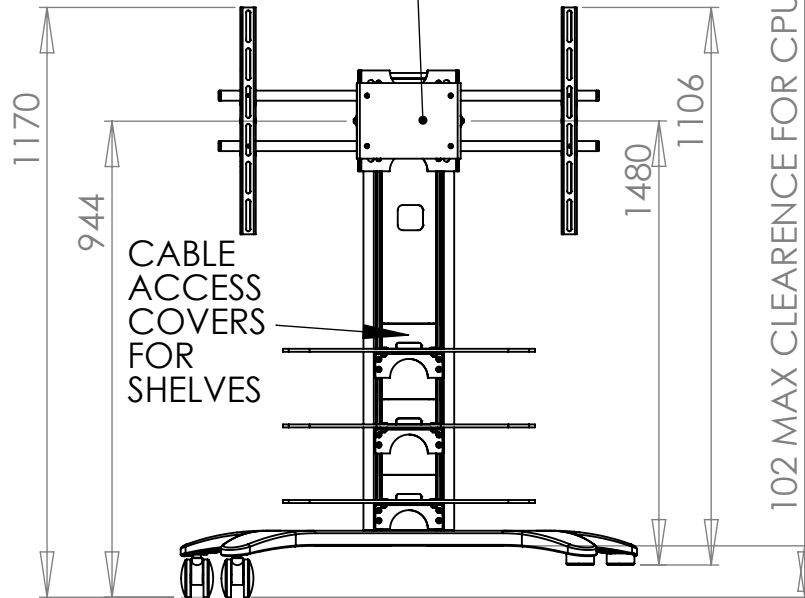


MOUNT TILT $\pm 12^\circ$

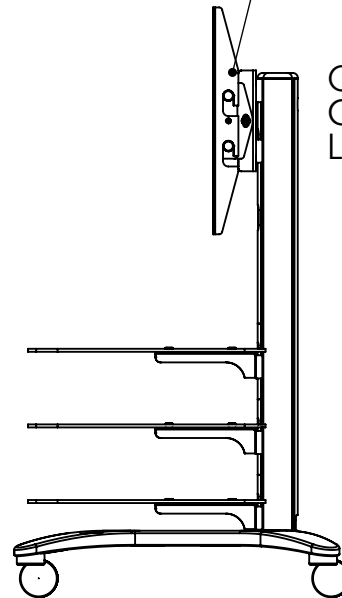
OPTIONS OF
CASTORS OR
LEVELING FEET



UNIVERSAL MOUNT HEIGHT
ADJUSTABLE ON SET UP



102 MAX CLEARANCE FOR CPU ENCLOSURES



DEBUR AND BREAK SHARP EDGES

MATERIAL:

N/A

FINISH:

BLACK OR SILVER

UNLESS OTHERWISE SPECIFIED:
DIMENSIONS ARE IN MILLIMETERS
TOLERANCES:

LINEAR: X. ± 1.0 mm
X.X ± 0.25 mm
X.XX ± 0.10 mm
ANGULAR: X.XX $\pm 0.1^\circ$

Mode-AL.co.uk

UNIT 4 ANAMAX IND. PARK. OXFORD ROAD,
TATLING END, BUCKS SL9 7BB TEL +44 (0)1753 880824

TITLE:

PLASMA STAND DCB
900 mm BASIC DIMS

DWG NO.

PD093101XX

REV

A

SCALE: NTS

SHEET 1 OF 1

A4