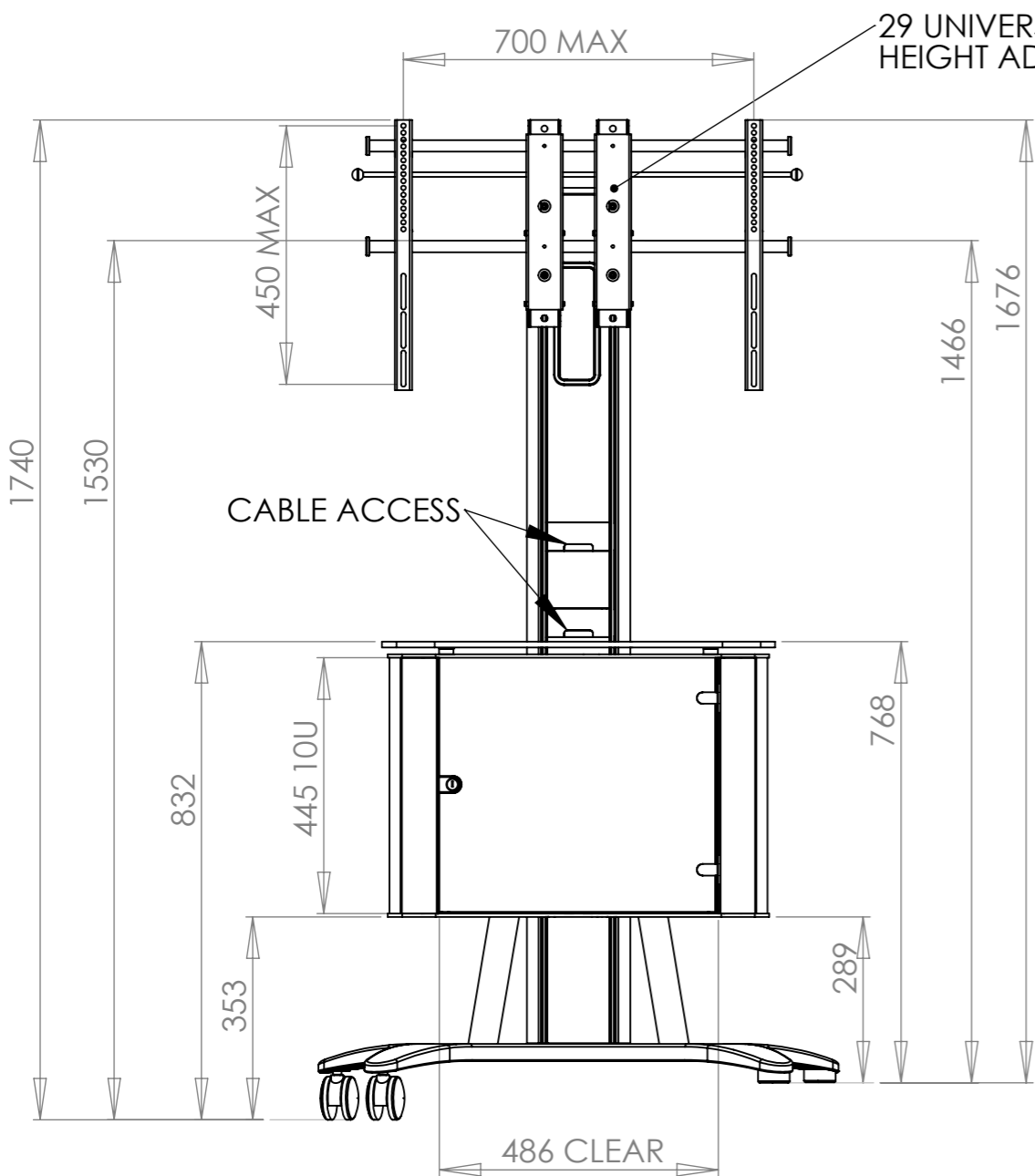
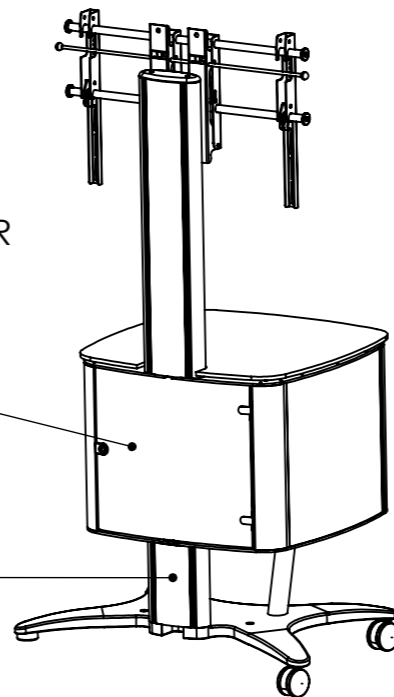


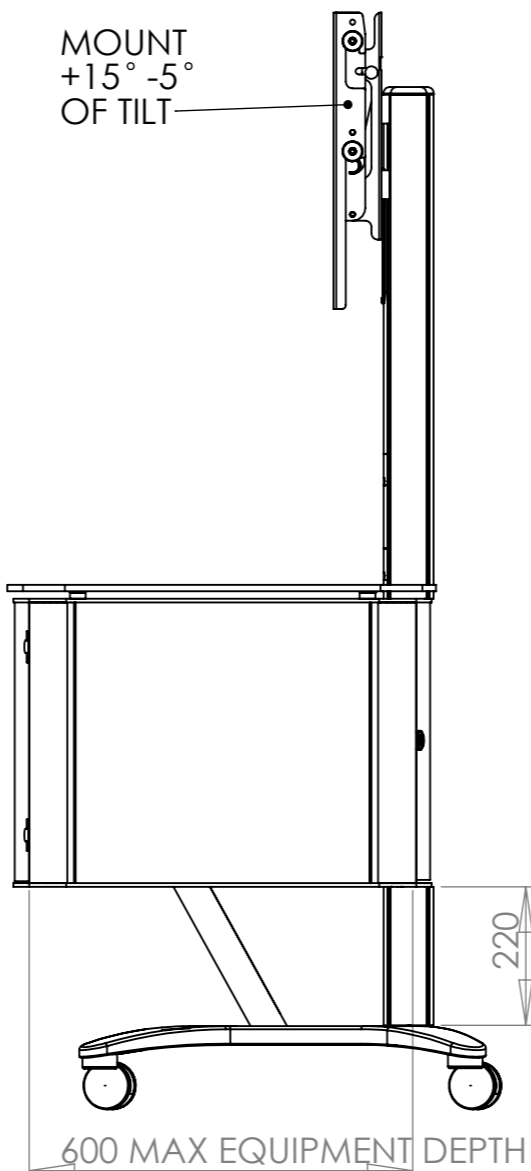
REAR ACCESS DOOR WITH LOCK, ACCESS IS NOT RESTRICTED BY COLUMN

UPPER AND LOWER COVERS REMOVABLE FOR ACCESS



29 UNIVERSAL MOUNT HEIGHT ADJUSTABLE ON SET UP

MOUNT +15° -5° OF TILT

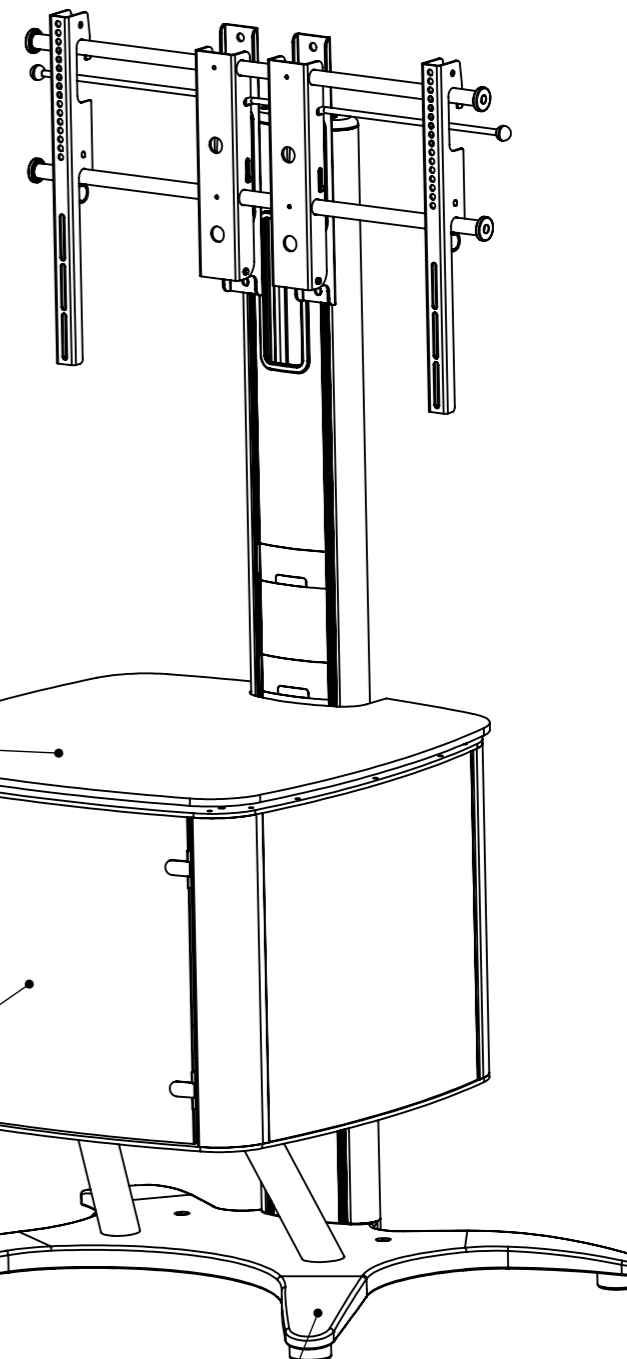


TOP AS STANDARD SMOKED OR FROSTED GLASS/ ACRYLIC OR TRESPA OTHER FINISH OPTIONS AVAILABLE

DOORS AND SIDES AS STANDARD SMOKED OR FROSTED GLASS/ ACRYLIC OTHER FINISH OPTIONS AVAILABLE

CASTORS AS STANDARD LEVELLING FEET OPTIONAL

BASE COLUMNS AND CABINET CORNERS NATURAL ANODISED (SILVER)



DEBUR AND BREAK SHARP EDGES

MATERIAL:

N/A

FINISH:

SEE DWG

UNLESS OTHERWISE SPECIFIED: DIMENSIONS ARE IN MILLIMETERS

TOLERANCES:

LINEAR: X. ±1.0mm

X.X ±0.25 mm

X.XX ±0.10 mm

ANGULAR: X.XX ±0.1°

Mode-AL.co.uk

UNIT 4 ANAMAX IND. PARK, OXFORD ROAD, TATLING END, BUCKS SL9 7BB TEL +44 (0)1753 880824

TITLE:

PLASMA STAND EQUIP 10U WITH DOOR

DWG NO.

PE080029CS10DX

REV

A

SCALE: 1:12

SHEET 1 OF 1

A3