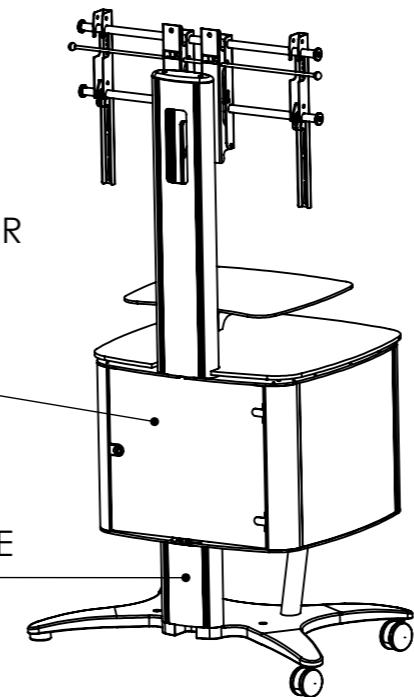


29 UNIVERSAL MOUNT  
HEIGHT ADJUSTABLE ON SET UP

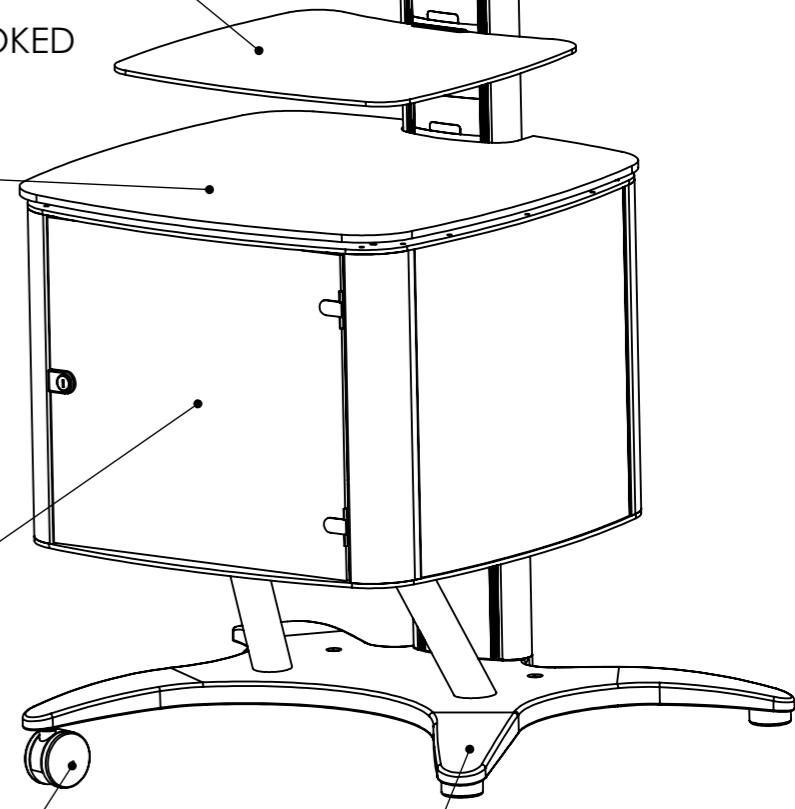
REAR ACCESS DOOR  
WITH LOCK,  
ACCESS IS NOT  
RESTRICTED BY  
COLUMN

UPPER AND LOWER  
COVERS REMOVABLE  
FOR ACCESS



ES-01 SHELF  
OPTIONAL

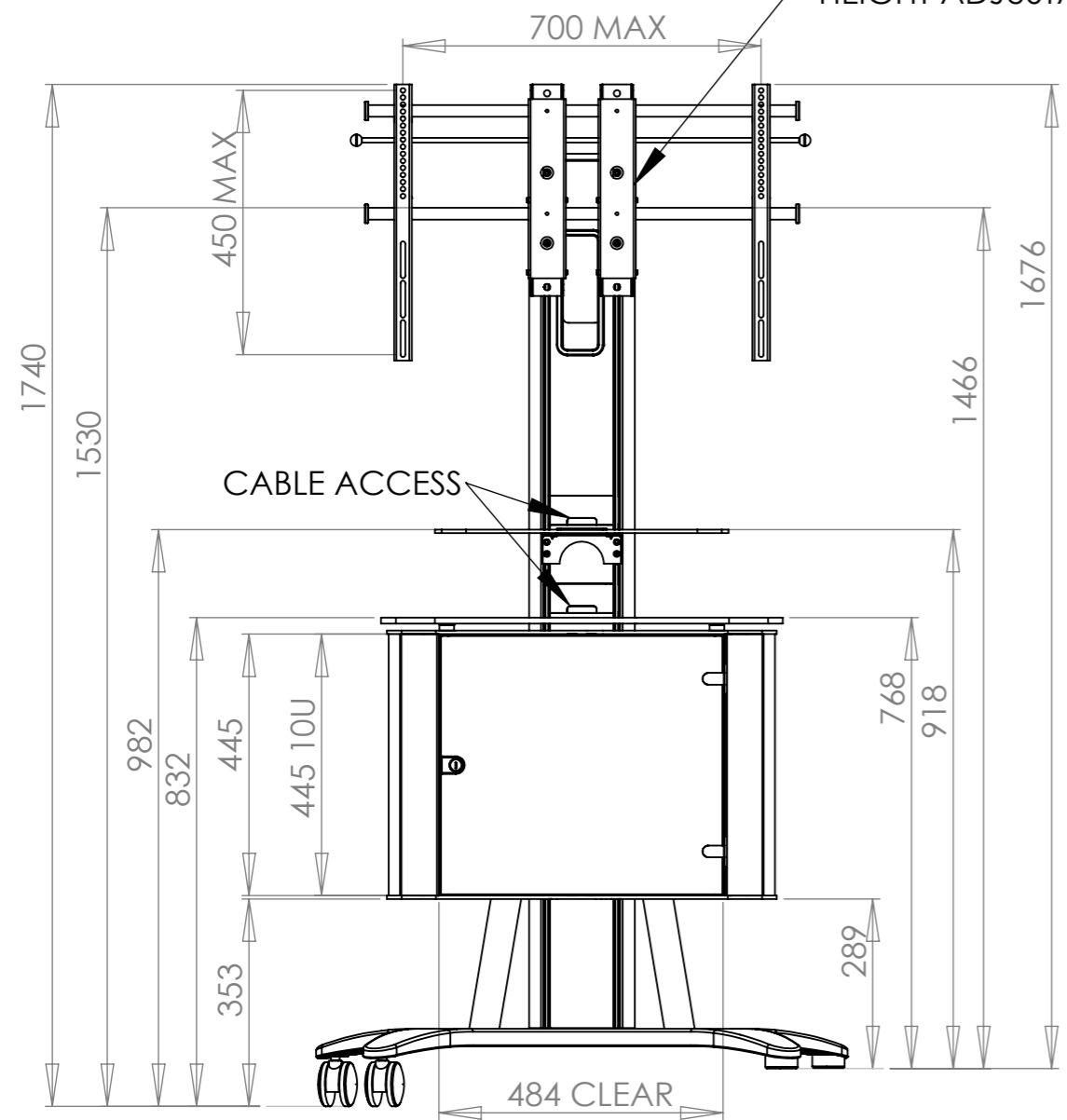
TOP AS STANDARD SMOKED  
OR FROSTED GLASS/  
ACRYLIC OR TRESPA  
OTHER FINISH  
OPTIONS AVAILABLE



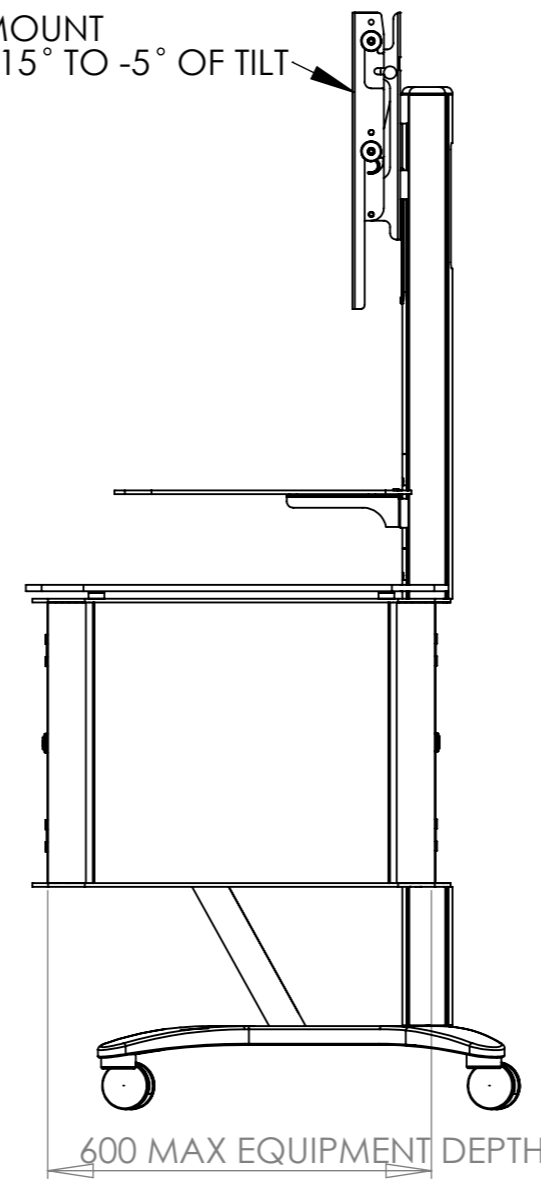
DOORS AND SIDES  
AS STANDARD SMOKED  
OR FROSTED GLASS/  
ACRYLIC OTHER FINISH  
OPTIONS AVAILABLE

CASTORS AS STANDARD  
LEVELLING FEET OPTIONAL

BASE COLUMNS AND CABINET  
CORNERS NATURAL ANODISED  
(SILVER)



MOUNT  
+15° TO -5° OF TILT



DEBUR AND BREAK SHARP EDGES		<b>Mode-AL.co.uk</b> UNIT 4 ANAMAX IND. PARK, OXFORD ROAD, TATLING END, BUCKS SL9 7BB TEL +44 (0)1753 880824
MATERIAL:	N/A	
FINISH:	SEE DWG	TITLE: PLASMA STAND EQUIP - 10U WITH DOOR AND ES-01 SHELF
UNLESS OTHERWISE SPECIFIED: DIMENSIONS ARE IN MILLIMETERS TOLERANCES: LINEAR: X. ±1.0mm X.X ±0.25 mm X.XX ±0.10 mm ANGULAR: X.XX ±0.1°		DWG NO. PE081129CS10XX
		REV A
SCALE: 1:12		SHEET 1 OF 1
		A3