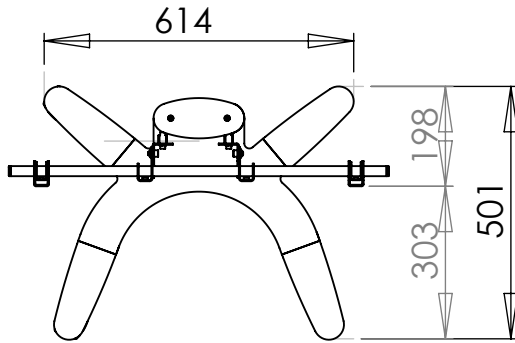


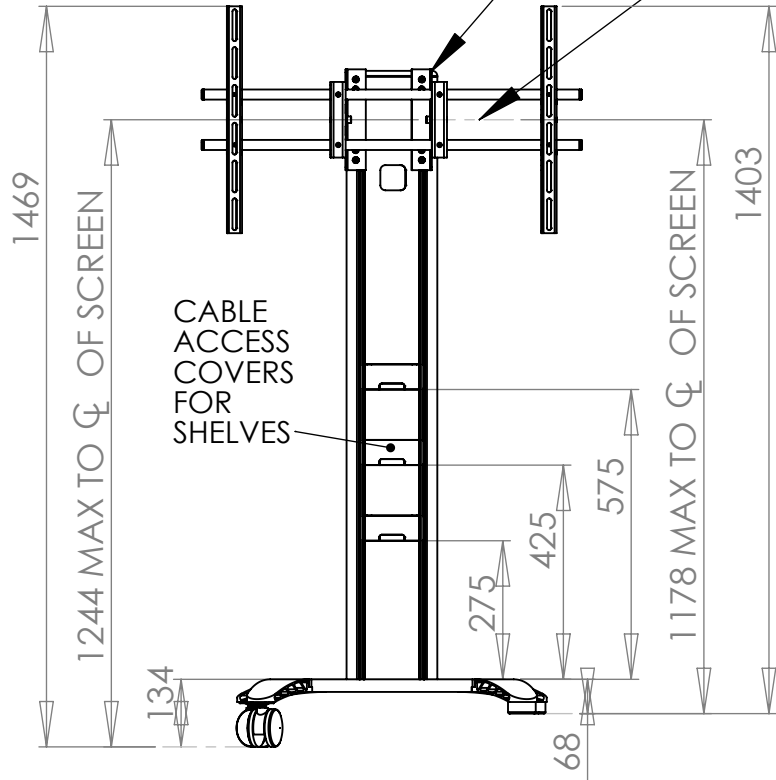
NOTE ALL ACCESSORIES FROM THE PLASMA STAND RANGE ARE COMPATIBLE WITH THIS PLASMA STAND



REMOVABLE REAR COVER

01 UNIVERSAL MOUNT
HEIGHT ADJUSTABLE ON SET UP

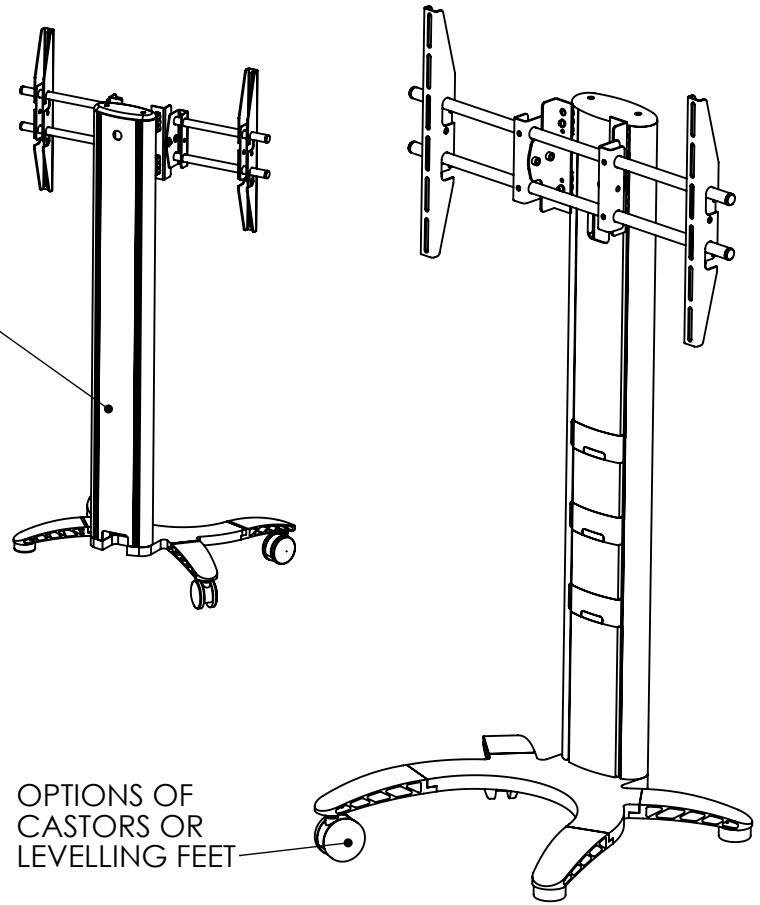
☉ OF MOUNT



CABLE ACCESS COVERS FOR SHELVES

1195

OPTIONS OF CASTORS OR LEVELLING FEET



DEBUR AND BREAK SHARP EDGES

MATERIAL:
ALUMINIUM

FINISH:
BLACK OR SILVER

UNLESS OTHERWISE SPECIFIED:
DIMENSIONS ARE IN MILLIMETRES
TOLERANCES:

LINEAR: X. ±1.0mm
X.X ±0.25 mm
X.XX ±0.10 mm
ANGULAR: X.XX ±0.1°

Mode-AL .co.uk

UNIT 4 ANAMAX IND. PARK. OXFORD ROAD,
TATLING END, BUCKS SL9 7BB TEL +44 (0)1753 880824

TITLE:
**PLASMA STAND MIMI
1200 MM BASIC DIMS**

DWG NO.
PK12XX01XX

SCALE: NTS

SHEET 1 OF 1

REV
A

A4