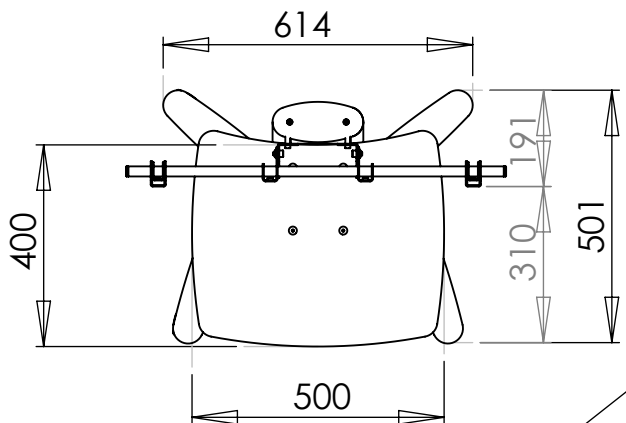


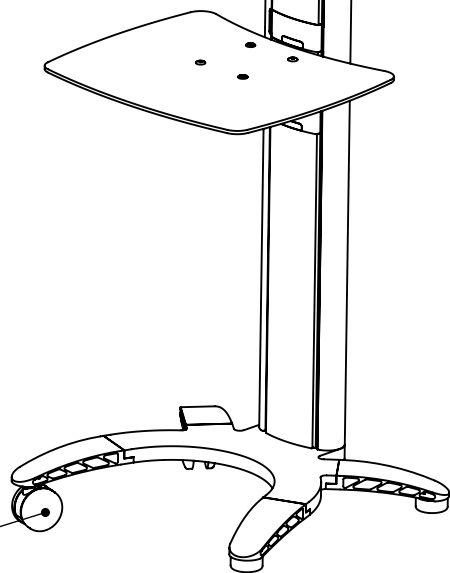
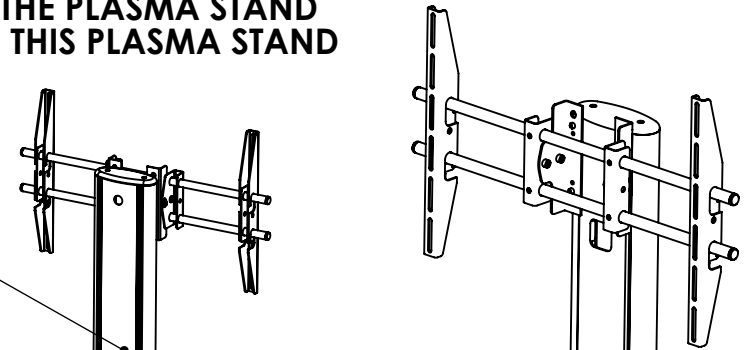
**NOTE ALL ACCESSORIES FROM THE PLASMA STAND RANGE ARE COMPATIBLE WITH THIS PLASMA STAND**



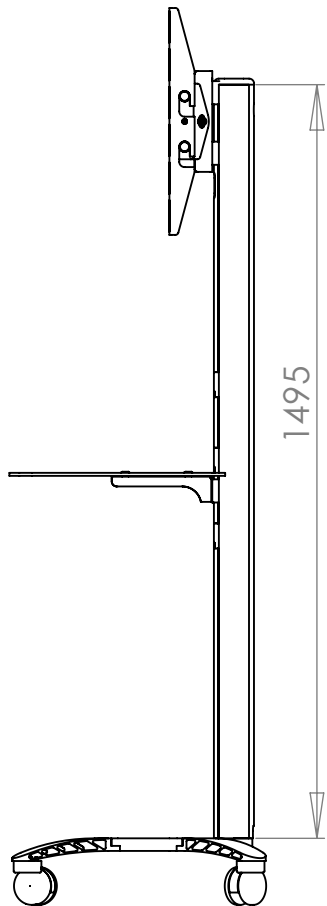
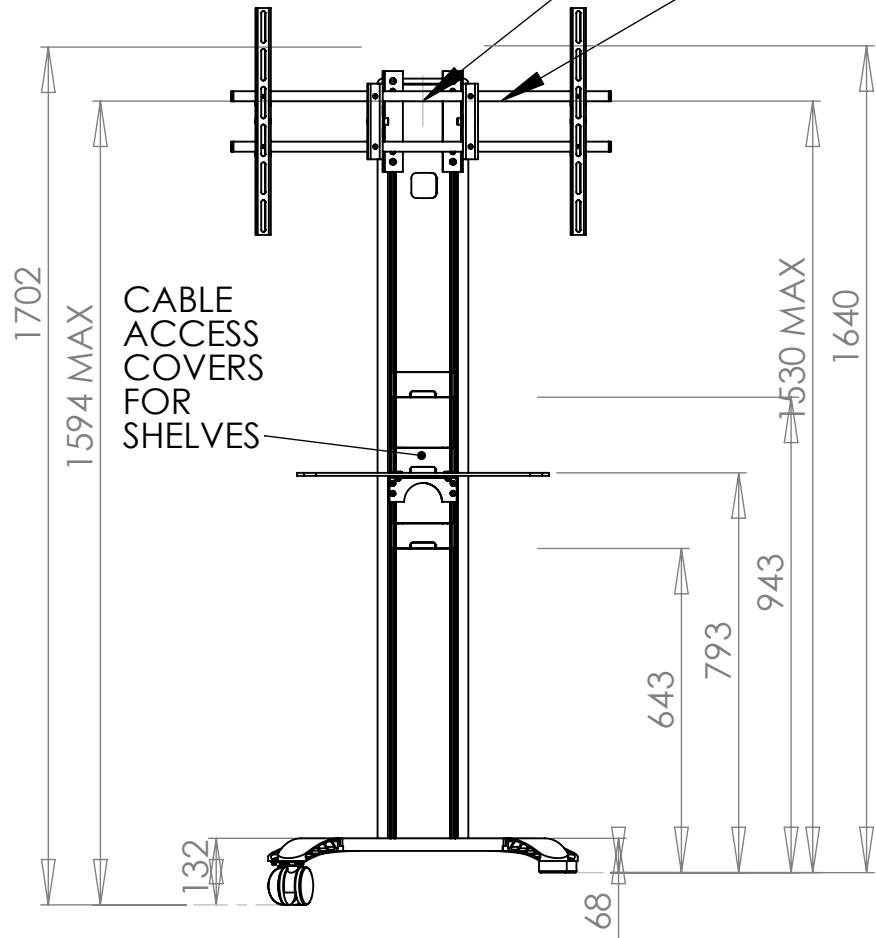
REMOVABLE REAR COVER

01 UNIVERSAL MOUNT  
HEIGHT ADJUSTABLE ON SET UP

Ø OF MOUNT



OPTIONS OF CASTORS OR LEVELLING FEET



CABLE ACCESS COVERS FOR SHELVES

DEBUR AND BREAK SHARP EDGES  
 MATERIAL:  
**ALUMINIUM**  
 FINISH:  
**BLACK OR SILVER**  
 UNLESS OTHERWISE SPECIFIED:  
 DIMENSIONS ARE IN MILLIMETRES  
 TOLERANCES:  
 LINEAR: X. ±1.0mm  
           X.X ±0.25 mm  
           X.XX ±0.10 mm  
 ANGULAR: X.XX ±0.1°

<b>Mode-AL .co.uk</b>	
UNIT 4 ANAMAX IND. PARK. OXFORD ROAD, TATLING END, BUCKS SL9 7BB TEL +44 (0)1753 880824	
TITLE: <b>PLASMA STAND MEDIUM 1500 MM BASIC DIMS</b>	
DWG NO. <b>PK151401XX</b>	REV <b>A</b>
SCALE: NTS	SHEET 1 OF 1