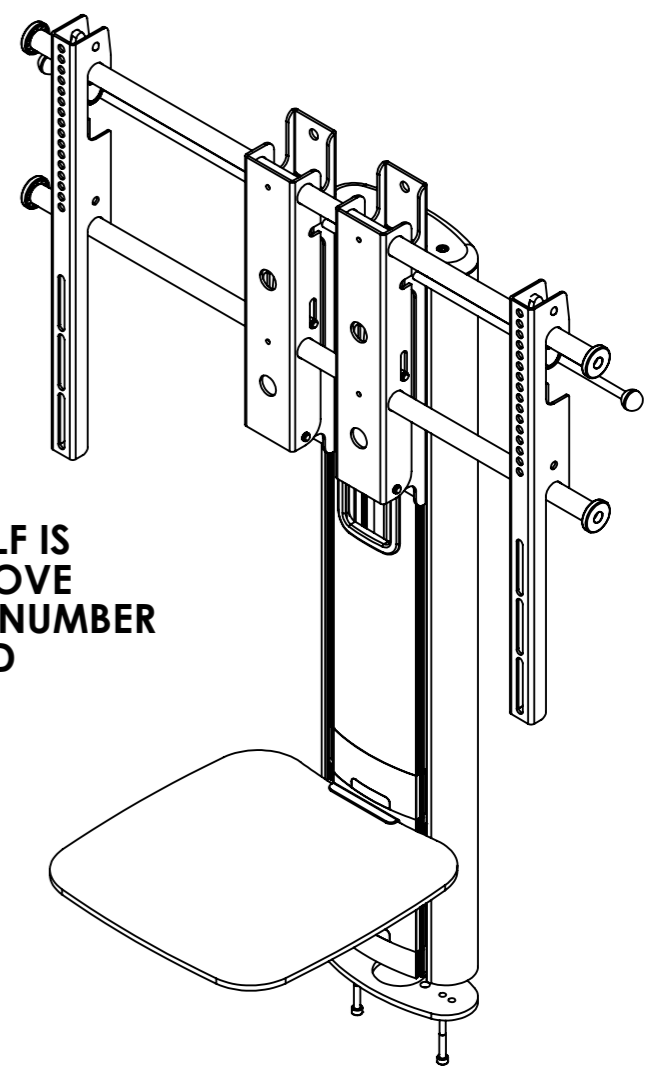


**NOTE**  
IF THE CAMERA SHELF IS  
REQUIRED TO BE ABOVE  
THE MONITOR PART NUMBER  
PN083329xS SHOULD  
BE SPECIFIED



DEBUR AND BREAK SHARP EDGES		<b>Mode-AL.com</b> UNIT 4 ANAMAX IND. PARK. OXFORD ROAD, TATLING END, BUCKS SL9 7BB TEL +44 (0)1753 880824
MATERIAL: N/A		
FINISH: BLACK OR SLIVER		TITLE: TABLE TOP MOUNT BASIC DIMS
UNLESS OTHERWISE SPECIFIED: DIMENSIONS ARE IN MILLIMETRES TOLERANCES: LINEAR: X. ±1.0mm X.X ±0.25 mm X.XX ±0.10 mm ANGULAR: X.XX ±0.1°		DWG NO. PN081329xS
SCALE: NTS	SHEET 1 OF 1	REV A A3