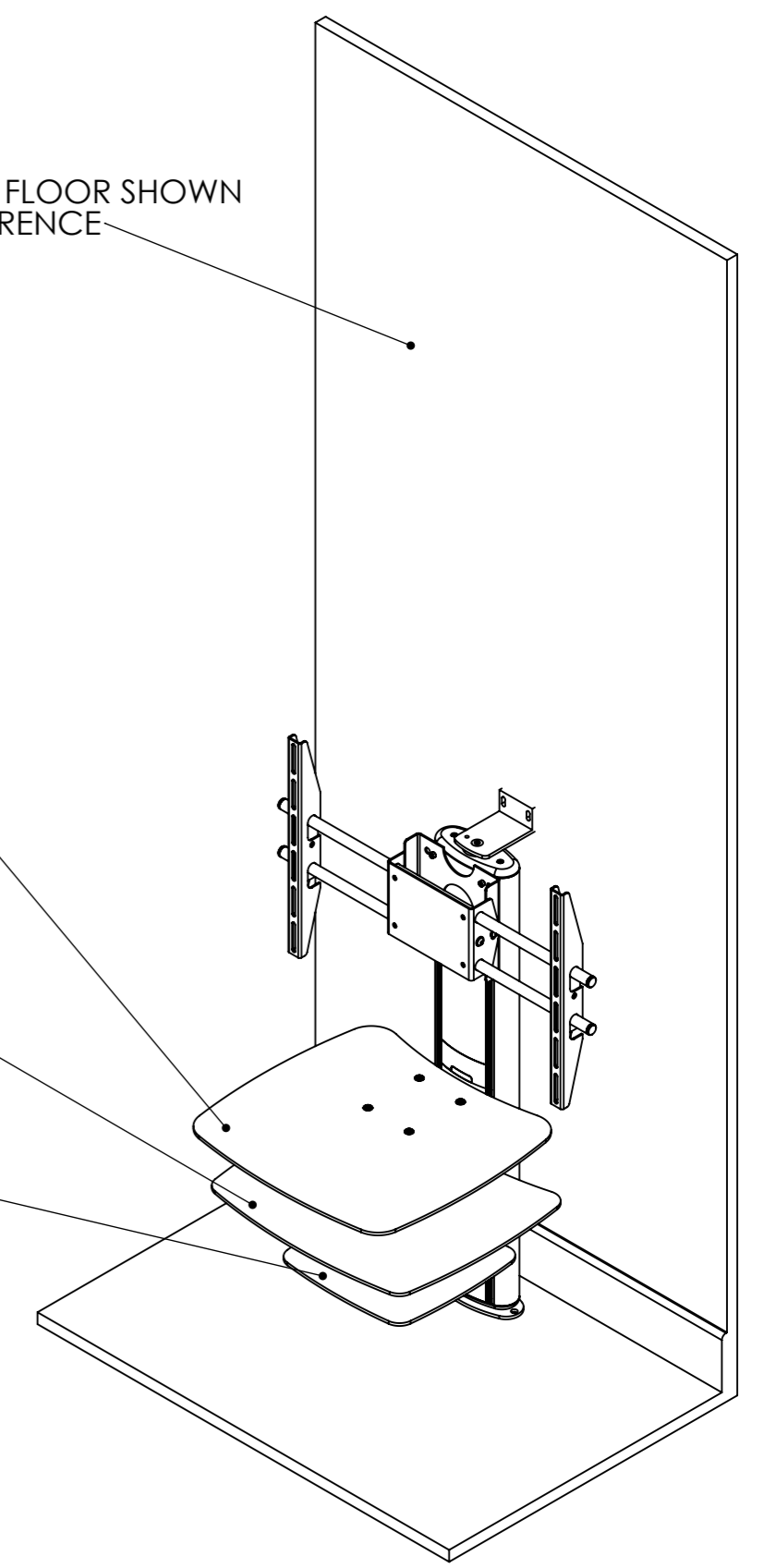


WALL & FLOOR SHOWN AS REFERENCE

ES-01

ES-04

ES-02



DEBUR AND BREAK SHARP EDGES		<b>Mode-AL.co.uk</b> UNIT 4 ANAMAX IND. PARK, OXFORD ROAD, TATLING END, BUCKS SL9 7BB TEL +44 (0)1753 880824
MATERIAL: -		
FINISH: -		TITLE: 0.9m PLASMA STAND WALL-FLOOR MOUNT ES-01, 02 & 04 SHELVES
UNLESS OTHERWISE SPECIFIED: DIMENSIONS ARE IN MILLIMETERS TOLERANCES: LINEAR: X. ±1.0mm X.X ±0.25 mm X.XX ±0.10 mm ANGULAR: X.XX ±0.1°		DWG NO. PW093701XS
SCALE: -	SHEET 1 OF 1	A3