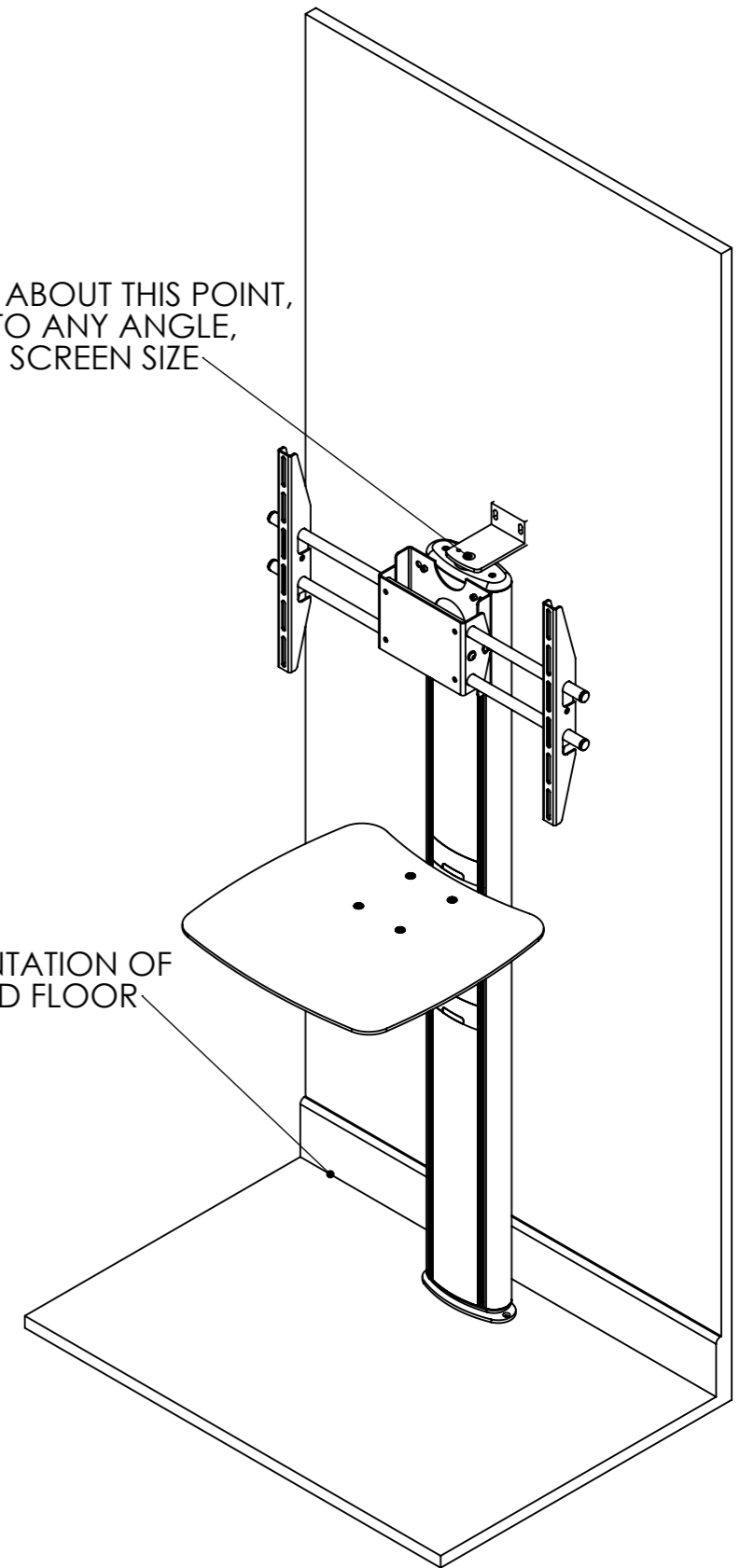


STAND ROTATES ABOUT THIS POINT,
SO CAN BE SET TO ANY ANGLE,
DEPENDANT ON SCREEN SIZE

REPRESENTATION OF
WALL AND FLOOR



DEBUR AND BREAK SHARP EDGES		Mode-AL.co.uk UNIT 4 ANAMAX IND. PARK, OXFORD ROAD, TATLING END, BUCKS SL9 7BB TEL +44 (0)1753 880824
MATERIAL: -		
FINISH: -		TITLE: 1.5m PLASMA STAND WALL-FLOOR MOUNT
UNLESS OTHERWISE SPECIFIED: DIMENSIONS ARE IN MILLIMETERS TOLERANCES: LINEAR: X. ±1.0mm X.X ±0.25 mm X.XX ±0.10 mm ANGULAR: X.XX ±0.1°		DWG NO. PW151301RX
SCALE: 1:1	SHEET 1 OF 1	A3