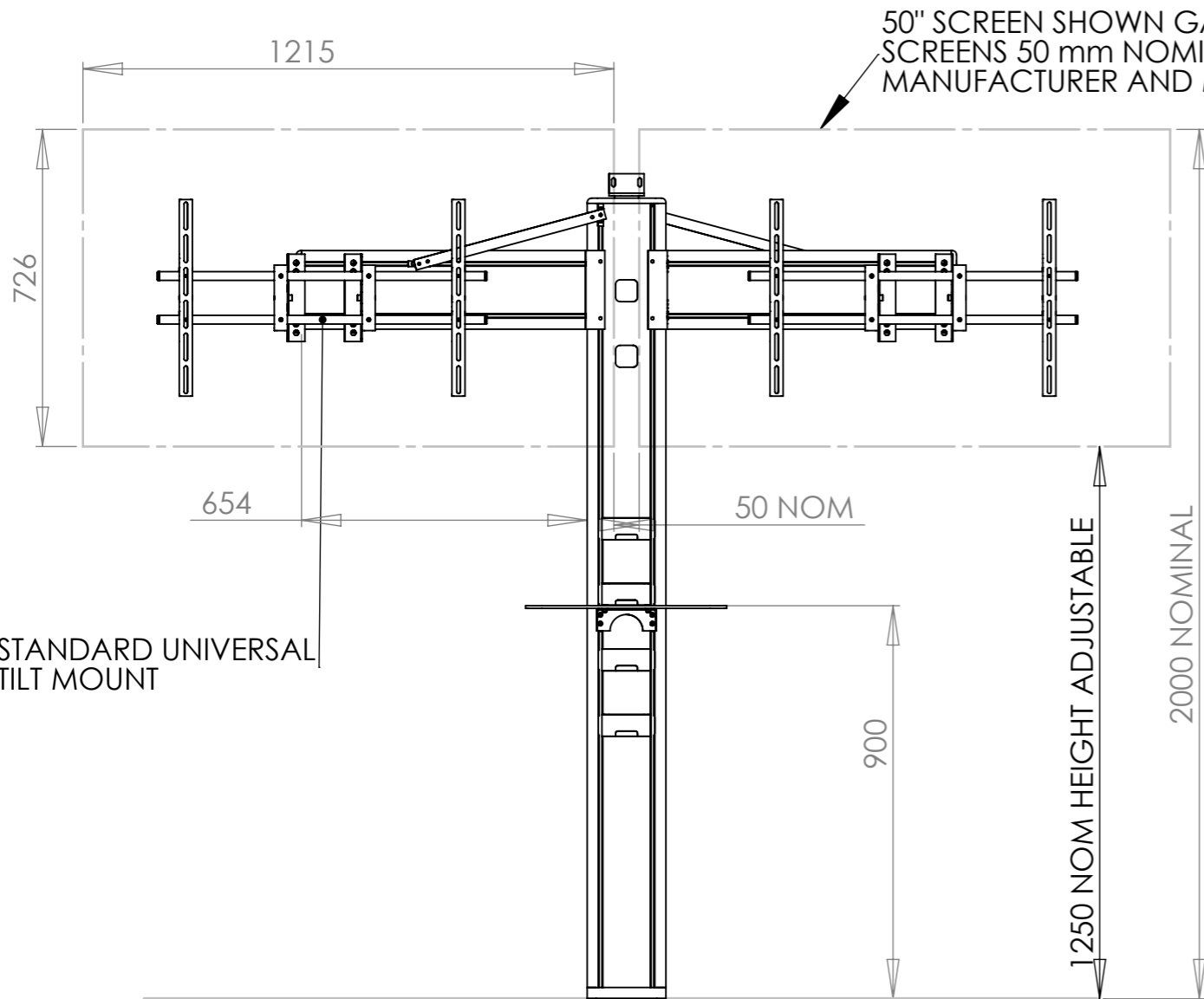
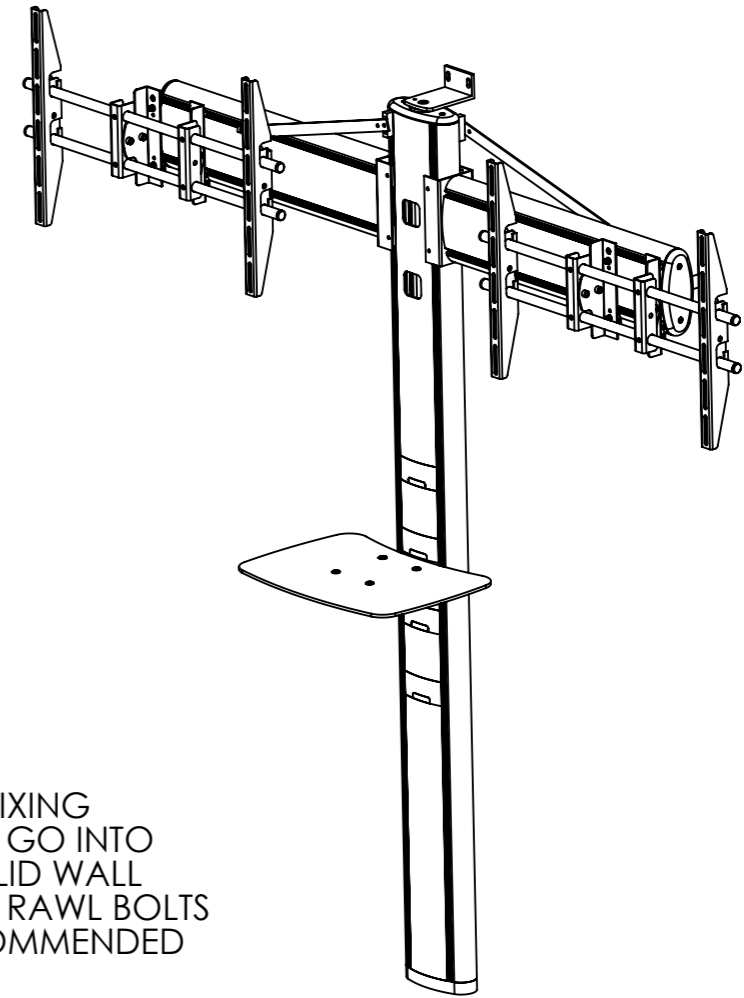


ES-03 CAMERA SHELF SHOWN
400 W x 300 D OTHER SIZES AVAILABLE



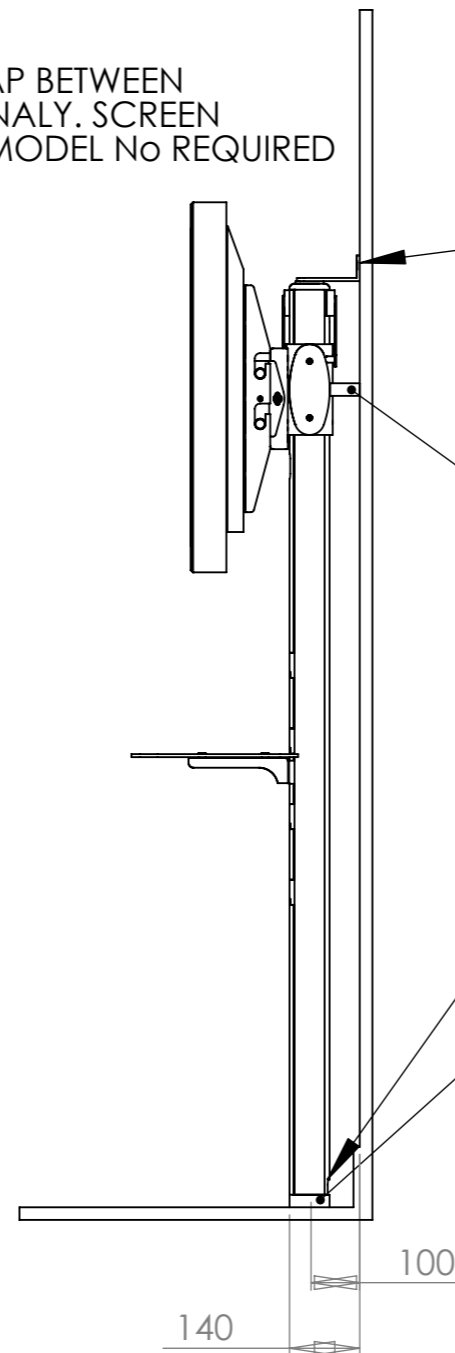
50" SCREEN SHOWN GAP BETWEEN
SCREENS 50 mm NOMINALY. SCREEN
MANUFACTURER AND MODEL No REQUIRED

THIS FIXING
MUST GO INTO
A SOLID WALL
2xM6 RAWL BOLTS
RECOMMENDED

PLASTIC SCREW
ADJUSTABLE
STABILISERS AT
THE END OF
EACH BEAM TO STOP
ANY WOBBLE

CABLE ACCESS EITHER THRU
BASE OF ACP OR TOP AND
BOTTOM OF EXTRUSION AT REAR

ACP NON PIVOTING BASE
MUST BE SCREWED DOWN TO FLOOR



DEBUR AND BREAK SHARP EDGES		Mode-AL .co.uk UNIT 4 ANAMAX IND. PARK. OXFORD ROAD.
MATERIAL:	N/A	
FINISH:	N/A	TITLE: DUAL PLASMA WALL MOUNT + SHELF
UNLESS OTHERWISE SPECIFIED: DIMENSIONS ARE IN MILLIMETERS TOLERANCES: LINEAR: X. ±1.0mm X.X ±0.25 mm X.XX ±0.10 mm ANGULAR: X.XX ±0.1°		DWG NO. VC-10
SCALE: NTS		REV A
SHEET 1 OF 1		A3