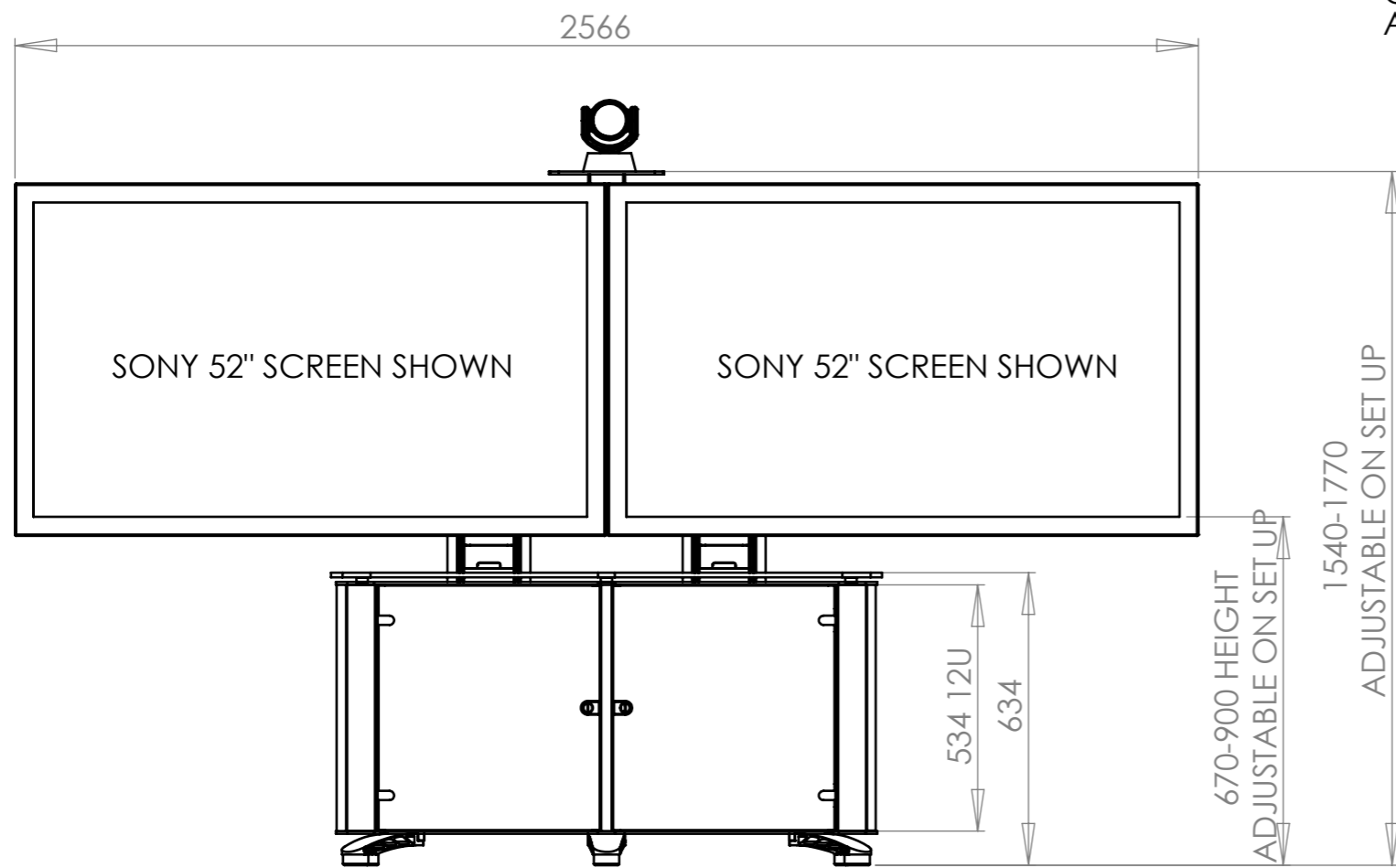
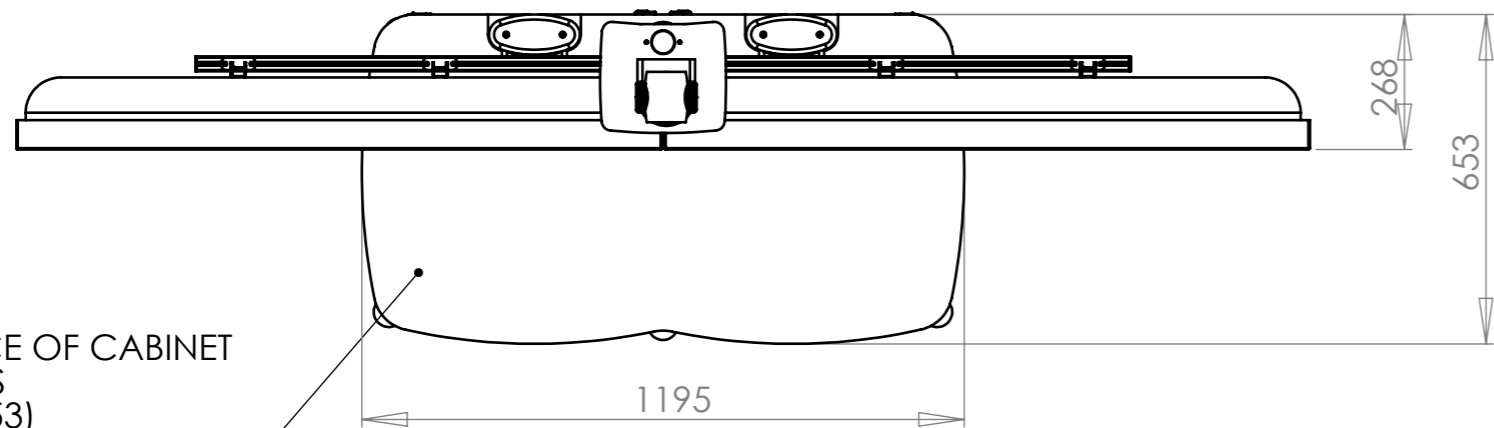
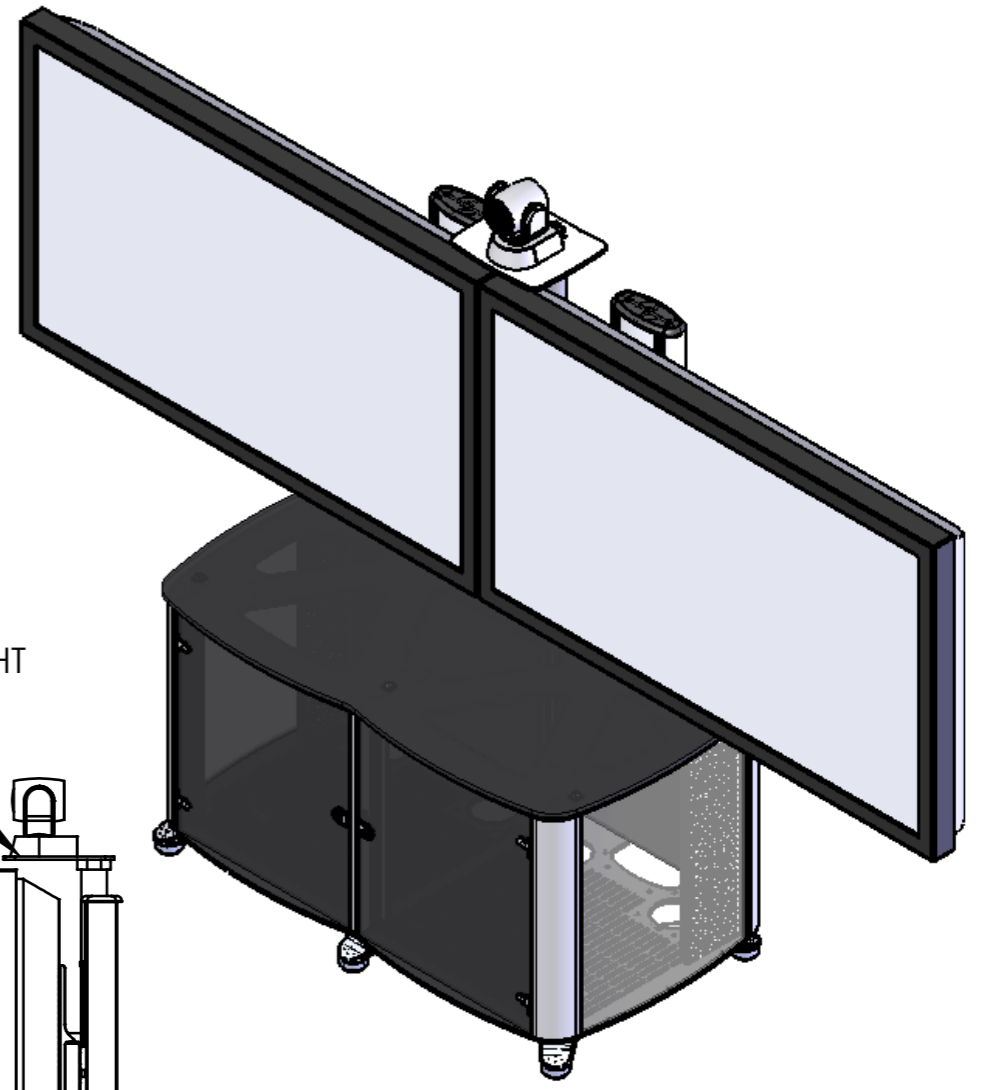
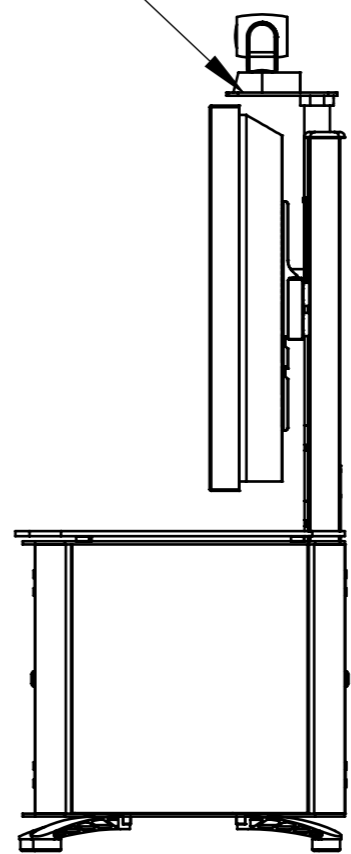


CHOICE OF CABINET DEPTHS
 400 (453)
 600 (AS SHOWN)
 800 (853)



CAMERA SHELF HEIGHT ADJUSTABLE



DEBUR AND BREAK SHARP EDGES		Mode-AL.com UNIT 4 ANAMAX IND. PARK. OXFORD ROAD, TATLING END, BUCKS SL9 7BB TEL +44 (0)1753 880824
MATERIAL: N/A		
FINISH: AS REQUIRED		TITLE: TWIN SCREEN VIDEO CONFRENCING STAND WITH TWIN 12U CABINET
UNLESS OTHERWISE SPECIFIED: DIMENSIONS ARE IN MILLIMETRES TOLERANCES: LINEAR: X. ±1.0mm X.X ±0.25 mm X.XX ±0.10 mm ANGULAR: X.XX ±0.1°		
DWG NO. VC121213		REV A
SCALE: 1:15	SHEET 1 OF 1 A3	